



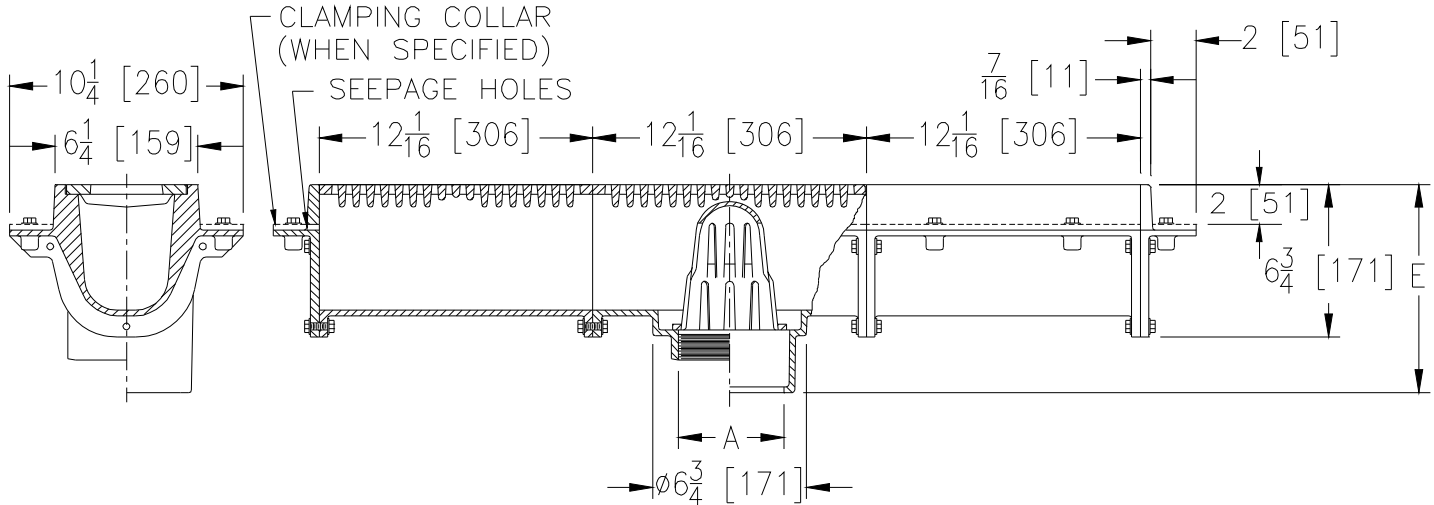
# Z664

## 6 [152] WIDE MODULAR TRENCH DRAIN HEAVY-DUTY

SPECIFICATION SHEET

TAG \_\_\_\_\_

Dimensional Data (inches and [ mm ]) are Subject to Manufacturing Tolerances and Change Without Notice



A Pipe Size	Approx. Wt. Lbs. [kg]	Grate Open Area Sq. In. [cm <sup>2</sup> ]
2-3-4 [51-76-102]	35 [16]	14 [90]

**ENGINEERING SPECIFICATION:** ZURN Z664  
6 [152] Wide Top modular trench drain, Dura-Coated cast iron drain section with bottom outlet and secondary dome strainer. Both 12 [305] long outlet and extension modules are complete with integral seepage pan and loose heavy-duty slotted heel-proof grate.

**OPTIONS** (Check/specify appropriate options)

**PIPE SIZE**

- 2-3-4 [51-76-102]
- 2-3-4 [51-76-102]
- 2-3-4 [51-76-102]
- 2-3-4 [51-76-102]

(Specify size/type) **OUTLET**

- \_\_\_\_\_ IC Inside Caulk
- \_\_\_\_\_ IP Threaded
- \_\_\_\_\_ NH No-Hub (IP w//Z1040-1)
- \_\_\_\_\_ NL Neo-Loc

**'E' BODY HT. DIM.**

- 9 1/8 [232]
- 7 5/8 [194]
- 
- 8 3/8 [213]

**PREFIXES**

- \_\_\_\_\_ Z D.C.C.I. Body and Top\*
- \_\_\_\_\_ ZB D.C.C.I Body w/ Polished Bronze Top (Add 1/8 [3] to 'E' and 2 [51] Dim.)
- \_\_\_\_\_ ZN D.C.C.I Body w/ Polished Stainless Steel Top (Add 1/8 [3] to 'E' and 2 [51] Dim.)

**SUFFIXES**

- \_\_\_\_\_ -AR Acid Resisting Epoxy Coated Cast Iron (Per Section)
- \_\_\_\_\_ -C Clamp Collar (Per Section)
- \_\_\_\_\_ -DG Duresist Grate (Per Section)
- \_\_\_\_\_ -ES 12 [305] Extension Section (Specify Number of Sections Required)
- \_\_\_\_\_ -G Galvanized Cast Iron (Per Section)
- \_\_\_\_\_ -M Side Outlet Adapter Via End Plate
- \_\_\_\_\_ -SQ Square Hole Grate
- \_\_\_\_\_ -TS Top Secured with Slotted Screws (Per Section)
- \_\_\_\_\_ -V Backwater Valve (See Z1099)
- \_\_\_\_\_ -VP Vandal-Proof Secured Top (Per Section)
- \_\_\_\_\_ -Y Sediment Bucket (Per Outlet Section)

Supplied By:



**877-903-7246**

[www.trenchdrainsupply.com](http://www.trenchdrainsupply.com)

REV. H      DATE: 01/27/12      C.N. NO. 122810

DWG. NO. 59249      PRODUCT NO. Z664

\*REGULARLY FURNISHED UNLESS OTHERWISE SPECIFIED

ZURN INDUSTRIES, LLC ♦ SPECIFICATION DRAINAGE OPERATION ♦ 1801 Pittsburgh Ave. ♦ Erie, PA 16514

Phone: 814455-0921 ♦ Fax: 814454-7929 ♦ World Wide Web: [www.zurn.com](http://www.zurn.com)

In Canada: ZURN INDUSTRIES LIMITED ♦ 3544 Nashua Drive ♦ Mississauga, Ontario L4V1L2 ♦ Phone: 905405-8272 Fax: 905405-1292