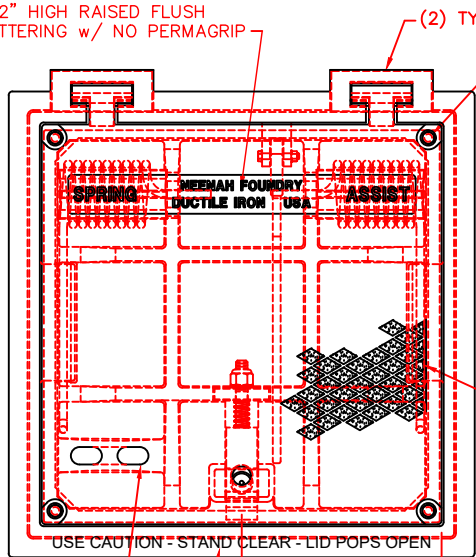


3/4" HIGH RAISED FLUSH &  
1/2" HIGH RAISED FLUSH  
LETTERING w/ NO PERMAGRIP



(2) TYPE "SA" HINGE

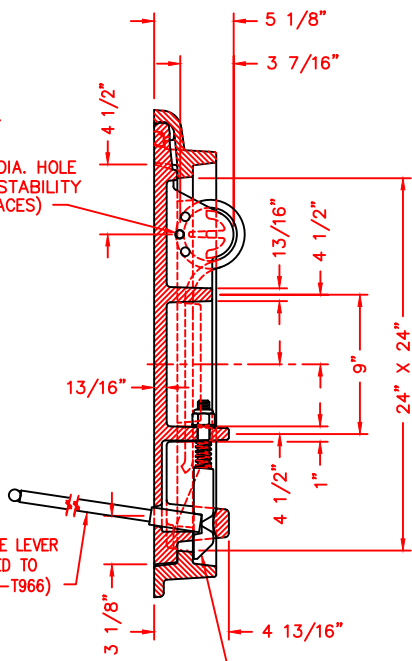
FRAME AND LID BOLTED  
w/ (4) 1/2" S.S. HEX. HD.  
CAP SCREWS w/ WASHERS

(3) 9/16" DIA. HOLE  
FOR ADJUSTABILITY  
(TYP. 2 PLACES)

TYPE "C" LID DESIGN  
w/ PERMAGRIP TEXTURE

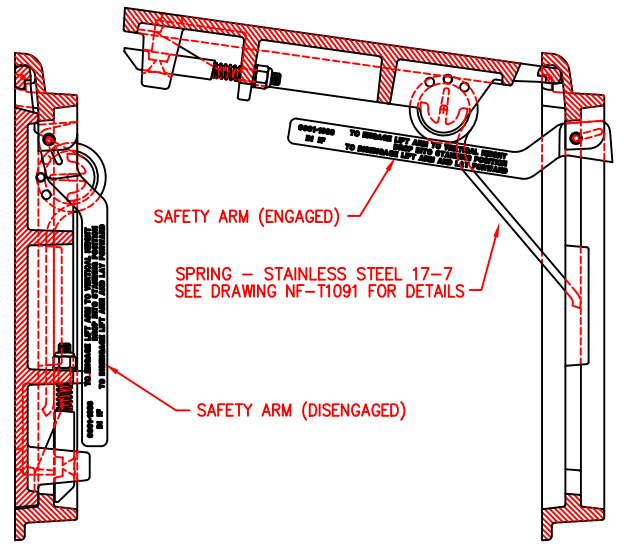
(1) HOLD DOWN LATCH RELEASE LEVER  
(HEX. HD. DEEP SOCKET WELDED TO  
FAB. STEEL T-HANDLE PER NF-T966)  
HARDWARE NO.: 07926

(1) AS-CAST LIFT HANDLE  
3/4" ENGRAVED LETTERING



(1) HOLD DOWN LATCH - DUCTILE IRON  
SEE DRAWING NF-T960 FOR LATCH DETAILS

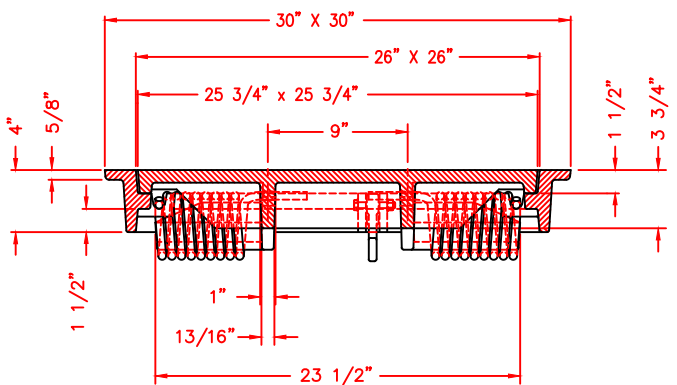
U.S. PATENT NO. 7,216,459



SAFETY ARM (ENGAGED)

SPRING - STAINLESS STEEL 17-7  
SEE DRAWING NF-T1091 FOR DETAILS

SAFETY ARM (DISENGAGED)



KITS INCLUDED IN THIS UNIT

- 1 X 81706 - SAFETY ARM
- 1 X 81990 - LATCH KIT
- 4 X 91570 - BOLTING KIT
- 1 X 81982 - SPRINGS KIT

NOTE: -CAPABLE OF WITHSTANDING MINIMUM 100,000-POUND LOADS PER FAA ADVISORY  
CIRCULAR AC 150/5320.

-MEETS FASTENING REQUIREMENT PER FAA ADVISORY CIRCULAR AC 150/5370

COMPONENT NO'S: FRAME 3498-2124; LID 3498-0504

MATERIAL: FRAME - CAST GRAY IRON ASTM A-48, CLASS 35B

LID - CAST DUCTILE IRON ASTM A-536, GRADE 80-55-06

FINISH: NO PAINT PER FAA ADVISORY CIRCULAR AC 150/5370.

WEIGHT: FRAME 136#; LID 251#; SPRINGS APPROX. 6#/EA.

Supplied By:  
**TRENCH DRAIN  
SUPPLY**  
877-903-7246  
www.trenchdrainsupply.com

DR. E. NIVER	SCALE 1/8"=1"	TITLE: R-3498-K2S FRAME AND DUCTILE IRON LID WITH SPRING ASSIST AND 'SA' HINGES
CH. RKB		
APP. SPT		
DATE 11-29-2016		
www.nfco.com		

**NEENAH FOUNDRY**  
NEENAH WISCONSIN 54956  
PHONE 800-536-5075  
LINCOLN, NEBRASKA 68529  
PHONE 800-234-7466

NF-3498 324 B