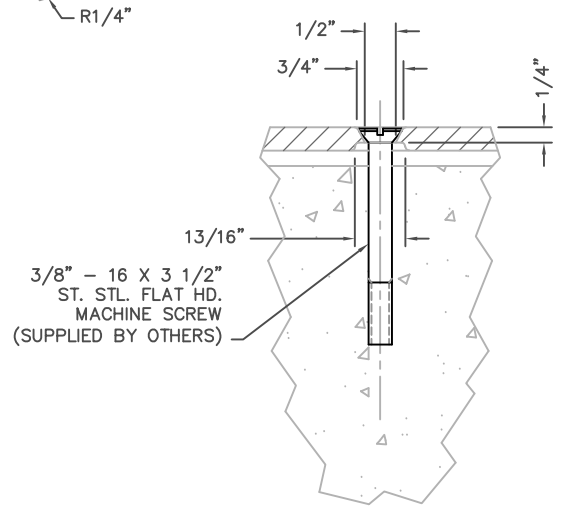
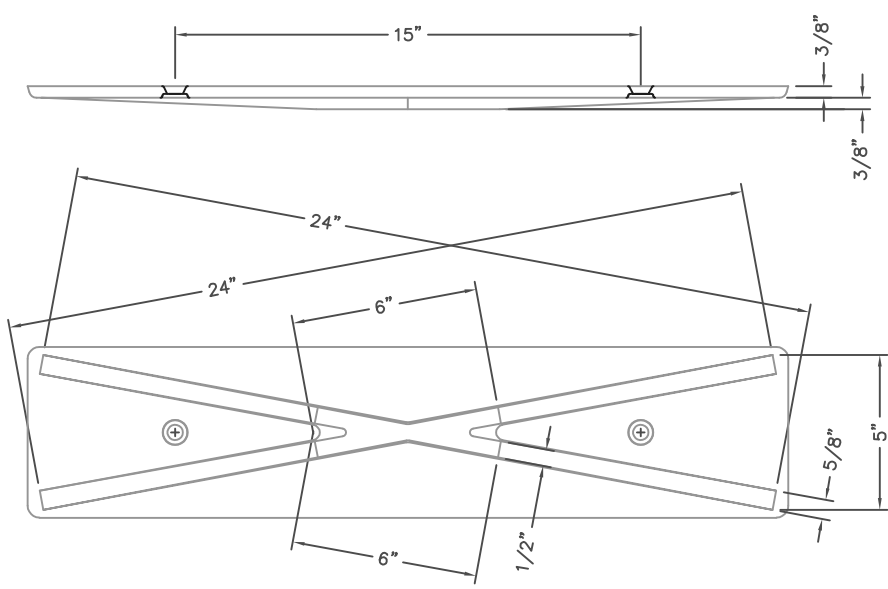
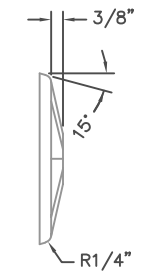


300000001-7 B4

Supplied By:  
**TRENCHDRAIN**  
**SUPPLY**  
 877-903-7246  
 www.trenchdrainsupply.com



SECTION A-A  
 1/2 SCALE

UNDERSIDE VIEW OF PLATE

NOTE: ALL DIMENSIONS SHOWN ARE IN ENGLISH  
 MATERIAL: CAST GRAY IRON ASTM A-48, CLASS 35B  
 FINISH: NO PAINT  
 WEIGHT: APPROX. 15#

WAS T1043

07-08-2014	ROTATED FISH TO MATCH PATTERN	CAG	DR.	MAG	SCALE	TITLE:	R-3000-A
10-09-2006	CATALOG NUMBER WAS R-3000	MAG	CH.		1/4"=1"	ENVIRONMENTAL NOTICE PLATE	
05-16-2005	CORRECTED BOLT SECTION DETAIL	ELR	APP.		DIM CHK.	NEENAH	
05-11-2005	FISH & LOON REVERSED DIRECTION	MAG				FOUNDRY COMPANY	
04-27-2005	FISH & LOON WAS RAISED	MAG	DATE	04-22-2005		NEENAH WISCONSIN 54956	
04-25-2005	BOLT LENGTH WAS 5", NOW 3 1/2"	MAG					
	DATE	REVISION	INT				