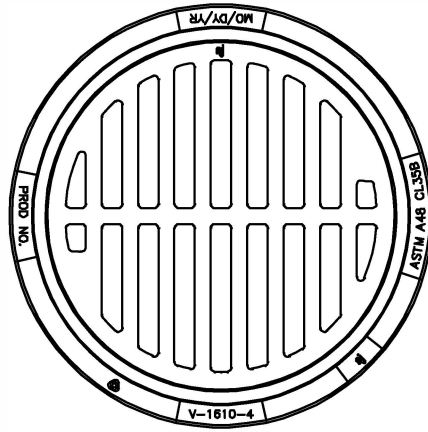
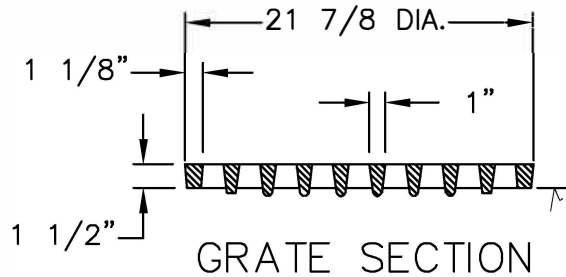


# V1610-4 V3610-4 Set

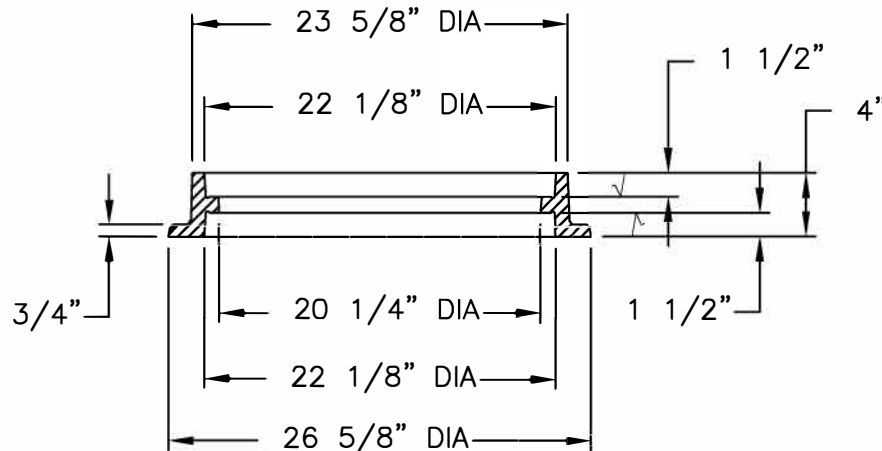


PLAN VIEW

NOTE: COMPONENTS ARE SHIPPED  
 LOOSE. UNASSEMBLED



GRATE SECTION



FRAME SECTION

NOTE: FRAME IS REVERSIBLE

**Product Number**

43610430C01

**Design Features**

- Materials
  - Frame
    - Gray Iron (CL35B)
  - Grate
    - Ductile Iron (70-50-05)
- Load Rating
  - Heavy Duty
- Open Area
  - 156 Sq. Inches
- Coating
  - Undipped
- √ Designates Machined Surface

**Certification**

- ASTM A48
- ASTM A536
- Country of Origin: USA

**Major Components**

41610410  
 43610430

**Drawing Revision**

2/13/2024 Designer: DAE  
 Revised By:

**Disclaimer**

Weights (lbs./kg) dimensions (inches/mm) and drawings provided for your guidance. We reserve the right to modify specifications without prior notice.

CONFIDENTIAL: This drawing is the property of EJ GROUP, Inc., and embodies confidential information, registered marks, patents, trade secret information, and/or know how that is the property of EJ GROUP, Inc. Copyright © 2012 EJ GROUP, Inc. All rights reserved.

**Contact**

877-903-7246  
 www.trenchdrainsupply.com