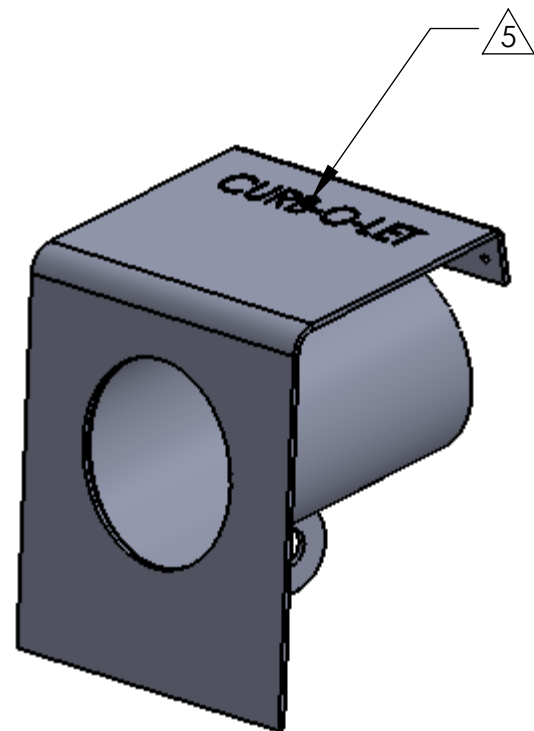
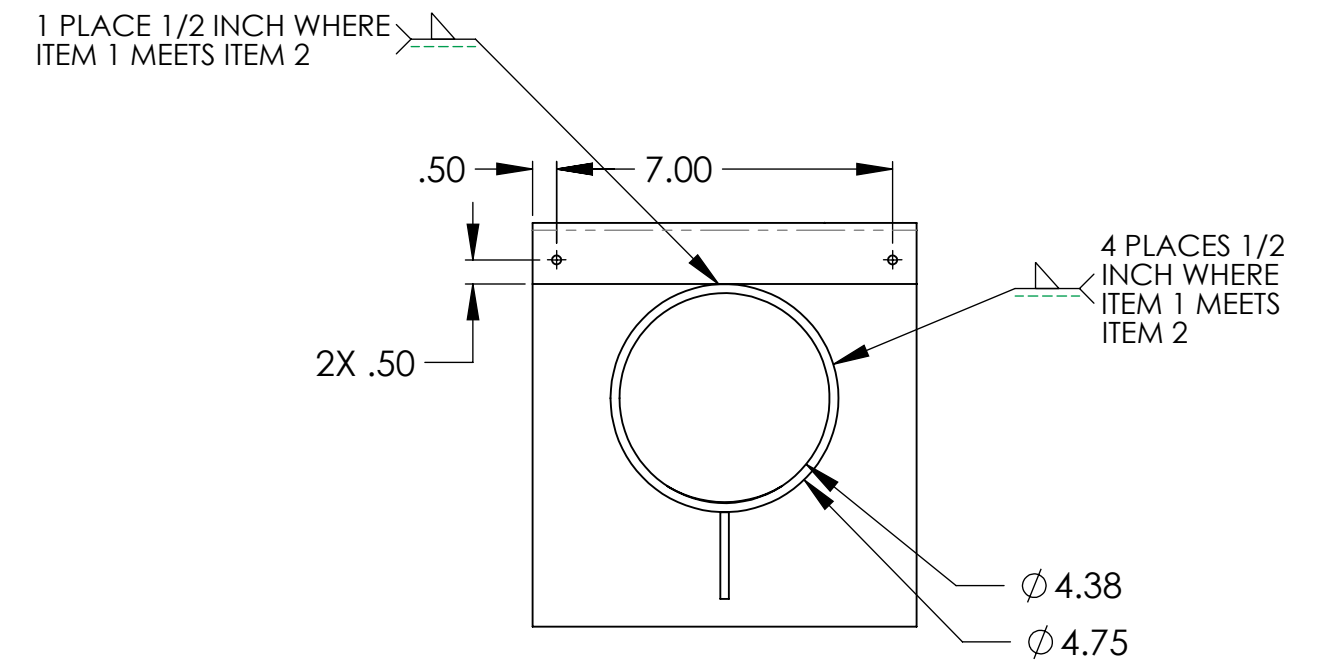
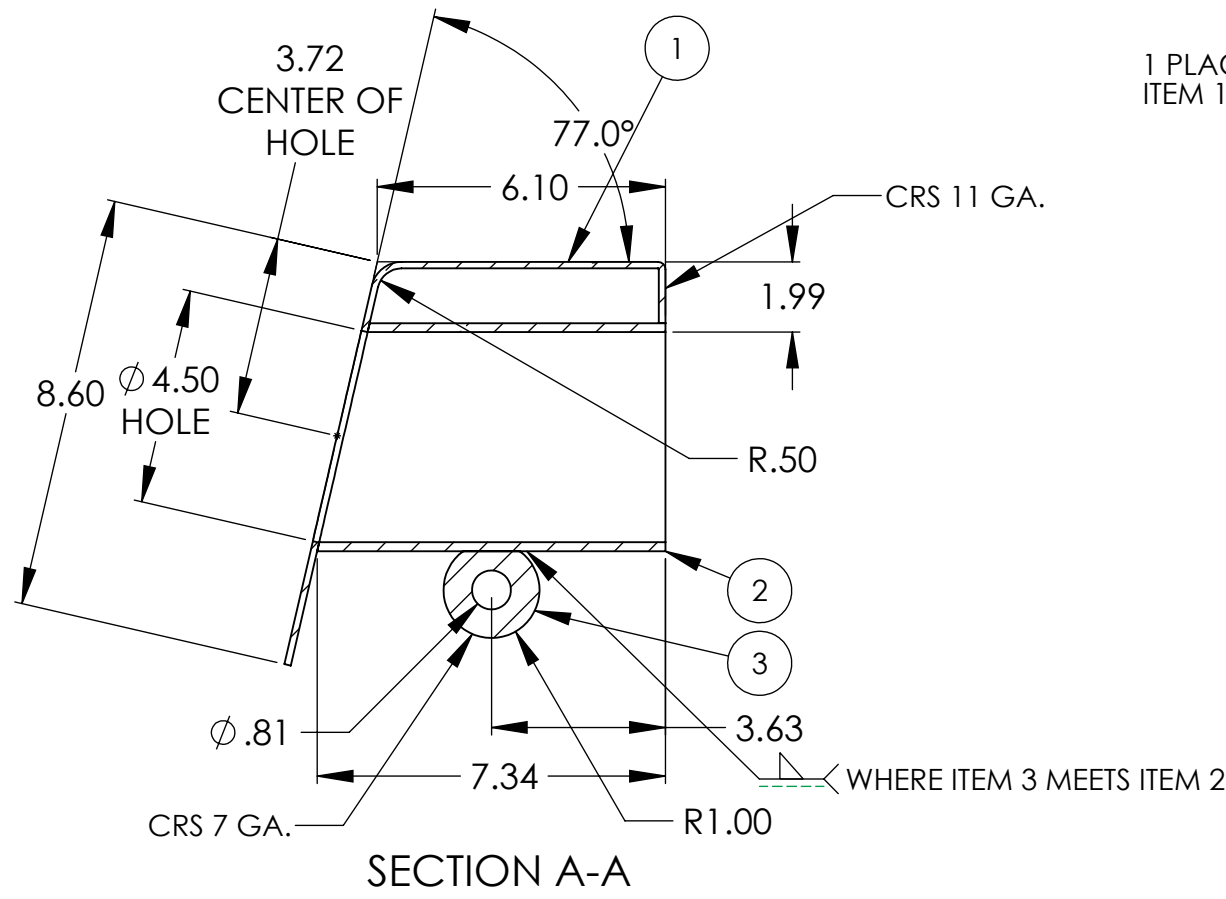
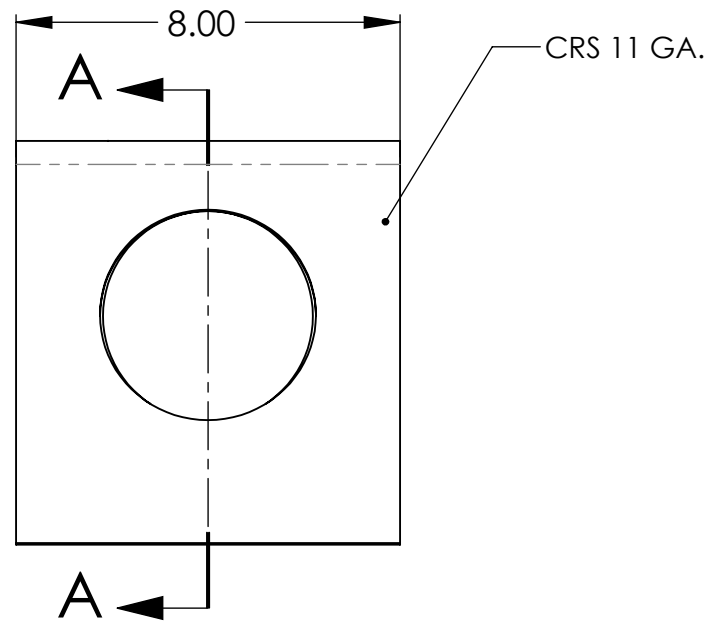


APPROVED BY THE CITY OF LOS ANGELES
BUREAU OF ENGINEERING/PUBLIC WORKS

REVISIONS			
REV.	DESCRIPTION	DATE	APPROVED
A	RELEASE FOR PRODUCTION		
B	CLARIFIED DIMENSIONS	6-13-17	
C	ENLARGED NOTE FONT	07/07/17	
D	ADDED CITY APPROVAL	07/07/17	

NOTES: UNLESS OTHERWISE SPECIFIED

1. MATERIAL: NOTED.
2. FINISH: AFTER ASSEMBLY.
3. ALL DIMENSIONS ARE IN INCHES UNLESS OTHERWISE SPECIFIED.
4. INSTALLATION: FOR 6 INCH CURB, INVERT OF CURB-O-LET TO BE 1/2 INCH ABOVE FLOW LINE ± 1/4 INCH, FOR 8 INCH CURBS BOTTOM OF CURB-O-LET TO BE INBEDDED IN CONCRETE ± 1/4 INCH.
5. STAMP COMPANY NAME IN 3/4" HIGH LETTERS APPROXIMATELY WHERE SHOWN .02-.04 DEEP.



ITEM NO.	PART NUMBER	DESCRIPTION	QTY.
1	TCD4RD-1NS	TOP	1
2	TCD4RD-2NS	TUBE	1
3	TCD4RD-3NS	WASHER	1

Supplied By:
TRENCHDRAIN SUPPLY
877-903-7246
www.trenchdrainsupply.com

PROPRIETARY AND CONFIDENTIAL
THE INFORMATION CONTAINED IN THIS
DRAWING IS THE SOLE PROPERTY OF
<INSERT COMPANY NAME HERE>. ANY
REPRODUCTION IN PART OR AS A WHOLE
WITHOUT THE WRITTEN PERMISSION OF
<INSERT COMPANY NAME HERE> IS
PROHIBITED.

UNLESS OTHERWISE SPECIFIED:		NAME	DATE	CURB-O-LET TITLE: TCD4RD-NS ASSEMBLY
DIMENSIONS ARE IN INCHES		DRAWN	D.C.	
TOLERANCES: FRACTIONAL ± ANGULAR: MACH ± BEND ±		CHECKED		
TWO PLACE DECIMAL ± THREE PLACE DECIMAL ±		ENG APPR.		
INTERPRET GEOMETRIC TOLERANCING PER:		MFG APPR.		SIZE DWG. NO. REV C TCD4RD-NS D
MATERIAL		Q.A.		
NEXT ASSY	USED ON	COMMENTS:		SCALE: 1:4 WEIGHT: SHEET 1 OF 1
APPLICATION	DO NOT SCALE DRAWING			