

APPROVED BY THE CITY OF LOS ANGELES
BUREAU OF ENGINEERING/PUBLIC WORKS

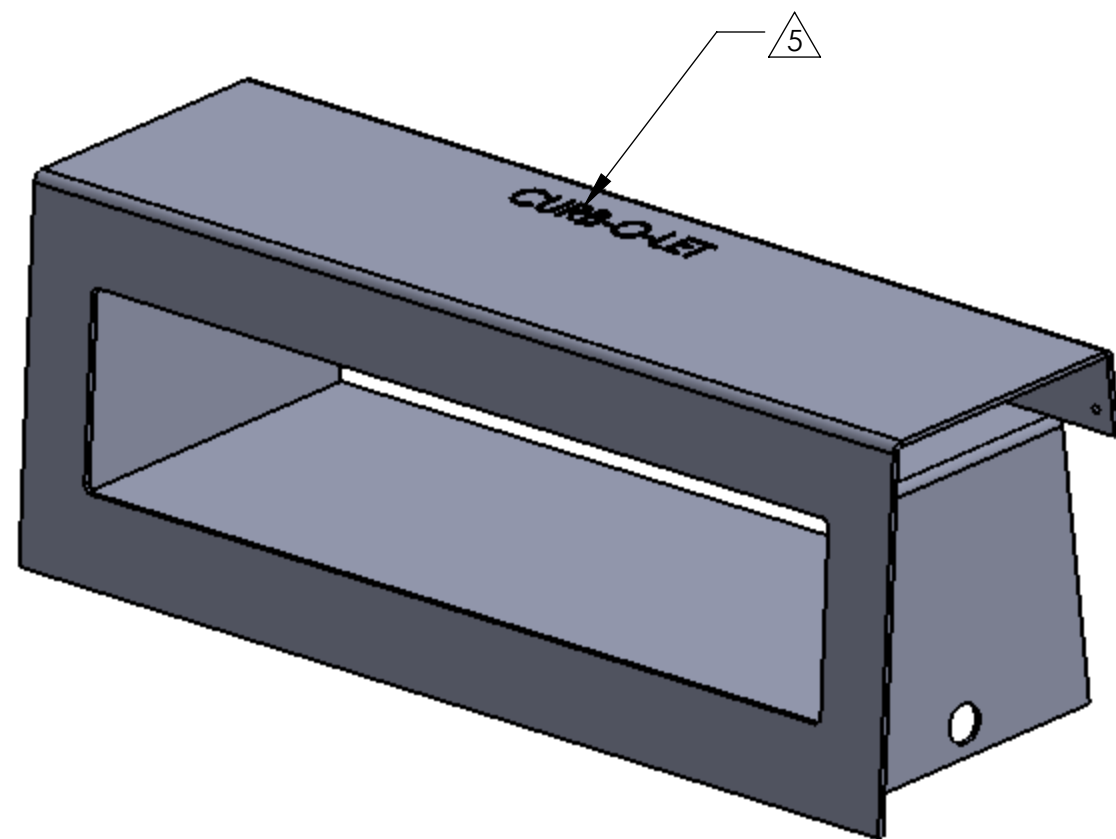
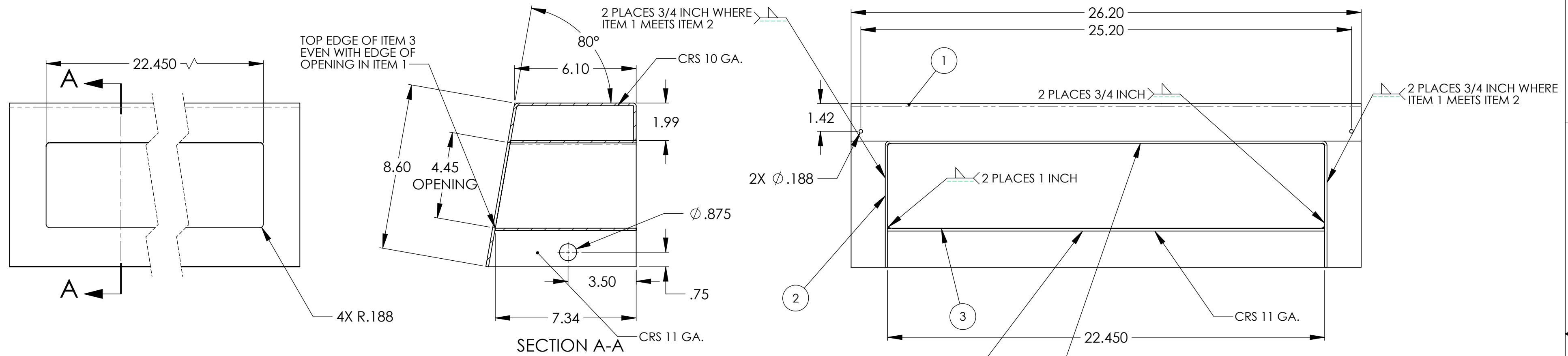
REVISIONS			
REV.	DESCRIPTION	DATE	APPROVED
A	RELEASE FOR PRODUCTION		
B	CHANGED OPENING DIMS		
C	CLARIFIED DIMENSIONS	06-13-17	
D	CHANGED NOTE 4	07/07/17	
E	ADDED CITY APPROVAL	07/07/17	

NOTES: UNLESS OTHERWISE SPECIFIED

1. MATERIAL: NOTED.
2. FINISH: AFTER ASSEMBLY.
3. ALL DIMENSIONS ARE IN INCHES UNLESS OTHERWISE SPECIFIED.

4. INSTALLATION: FOR 8 INCH CURBS BOTTOM OF CURB-O-LET TO BE INBEDDED IN CONCRETE ± 1/4 INCH.

5. STAMP COMPANY NAME IN 3/4" HIGH LETTERS APPROXIMATELY WHERE SHOWN .02-.04 DEEP.



ITEM NO.	PART NUMBER	DESCRIPTION	QTY.
1	TCD422-1NS	COVER	1
2	TCD422-2NS	BRACKET	1
3	TCD422-3NS	PLATE	1

Supplied By:
TRENCHDRAIN SUPPLY
877-903-7246
www.trenchdrainsupply.com

PROPRIETARY AND CONFIDENTIAL
THE INFORMATION CONTAINED IN THIS
DRAWING IS THE SOLE PROPERTY OF
<INSERT COMPANY NAME HERE>. ANY
REPRODUCTION IN PART OR AS A WHOLE
WITHOUT THE WRITTEN PERMISSION OF
<INSERT COMPANY NAME HERE> IS
PROHIBITED.

UNLESS OTHERWISE SPECIFIED:		NAME	DATE	TITLE: CURB-O-LET TCD422-NS ASSEMBLY
DIMENSIONS ARE IN INCHES	DRAWN	D.C.	11-08-16	
TOLERANCES: FRACTIONAL ± ANGULAR: MATCH ± BEND ± TWO PLACE DECIMAL ± THREE PLACE DECIMAL ±	CHECKED			
INTERPRET GEOMETRIC TOLERANCING PER: MATERIAL	ENG APPR.			
FINISH	MFG APPR.			SIZE DWG. NO. REV C TCD422-NS E
APPLICATION	COMMENTS:			