

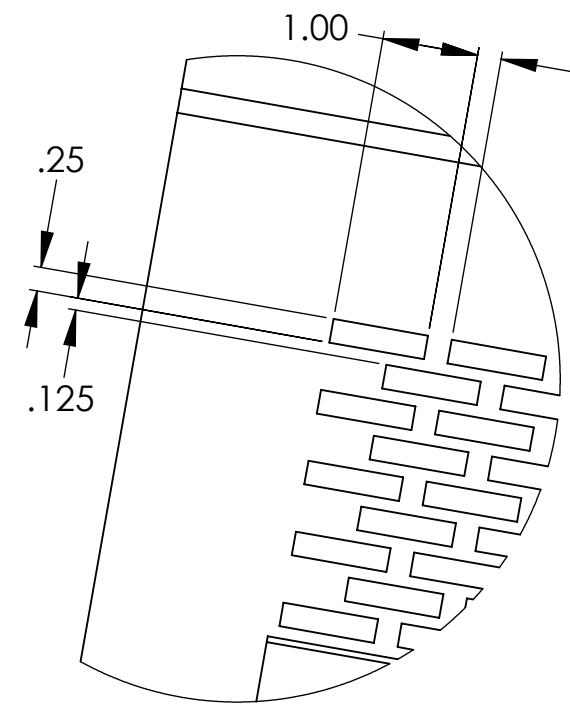
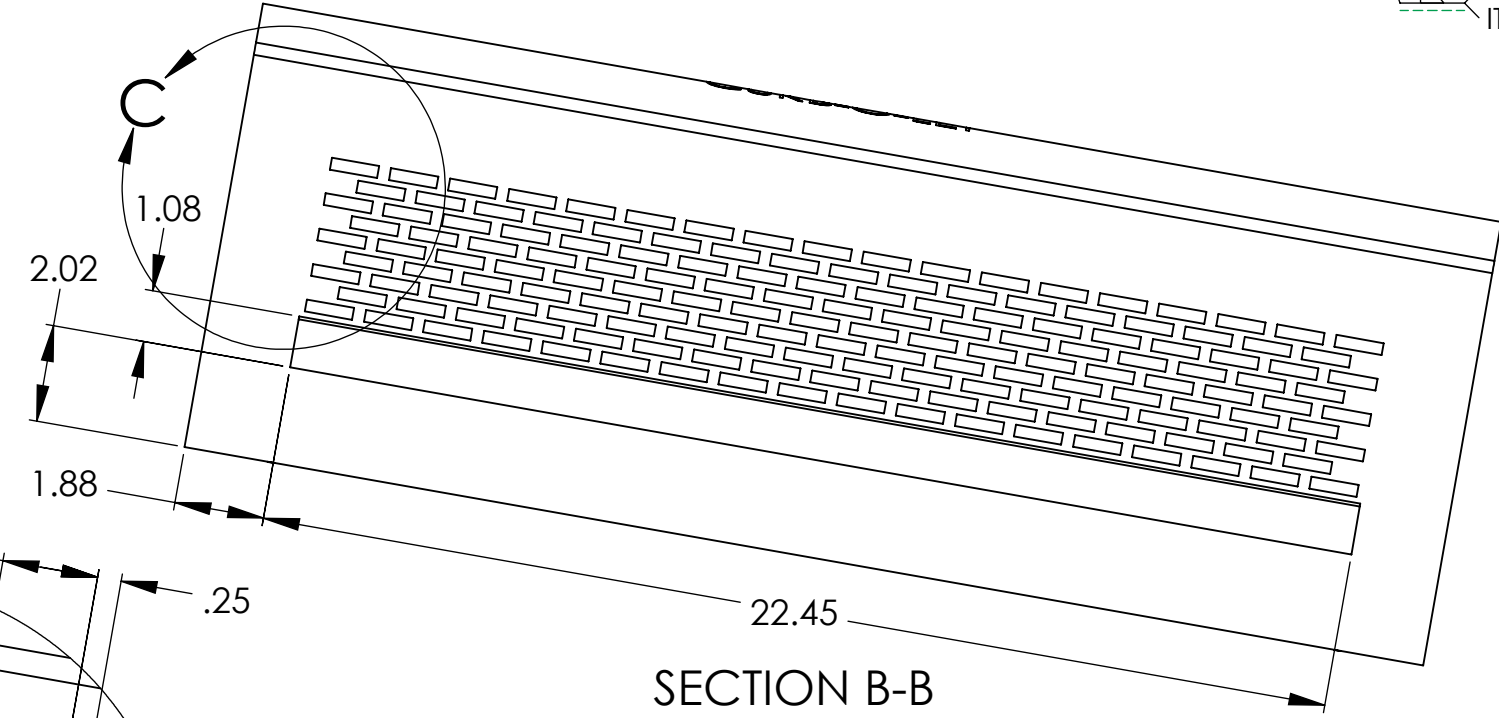
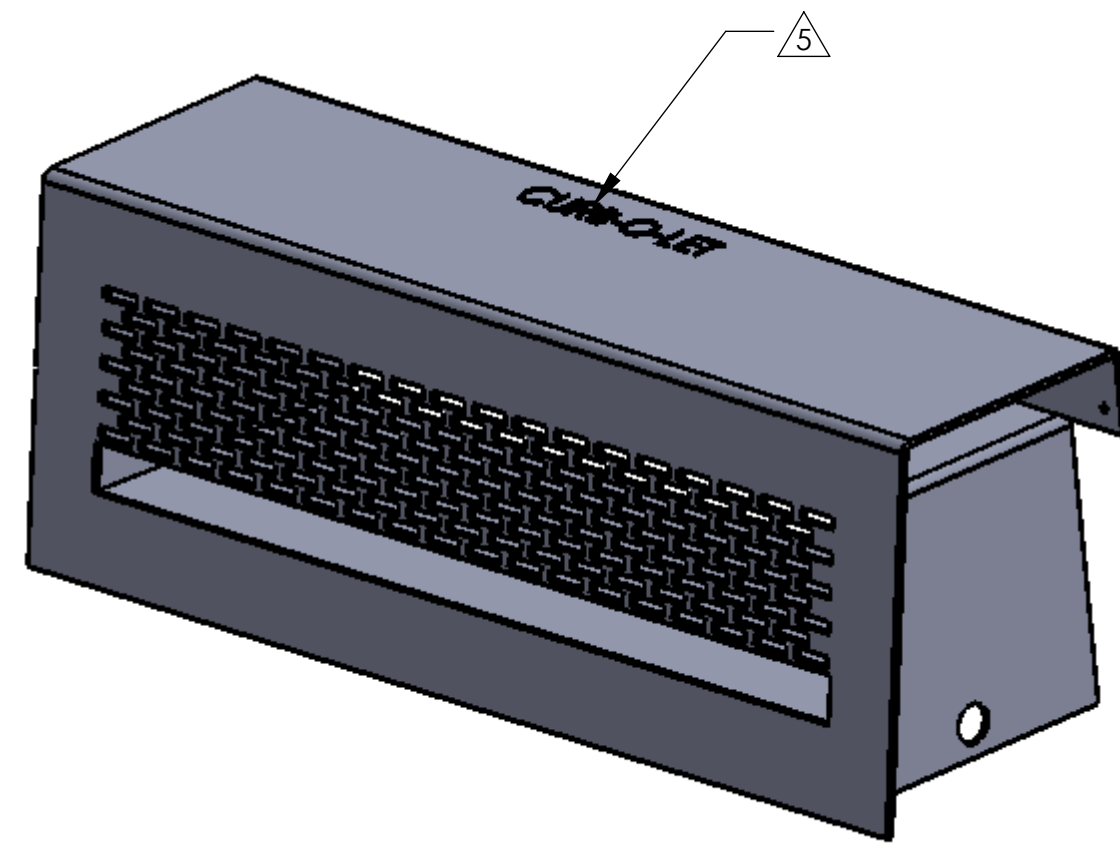
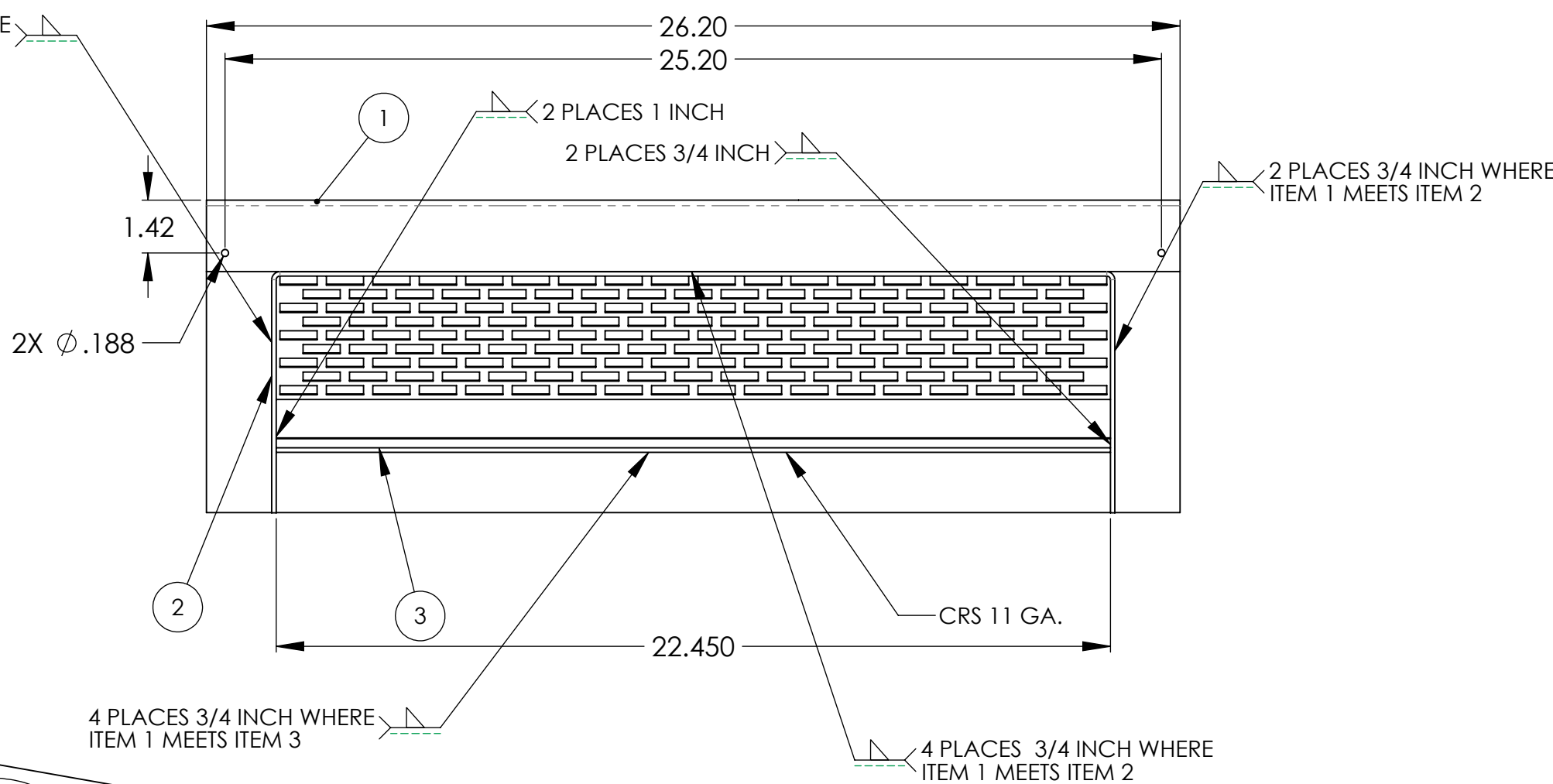
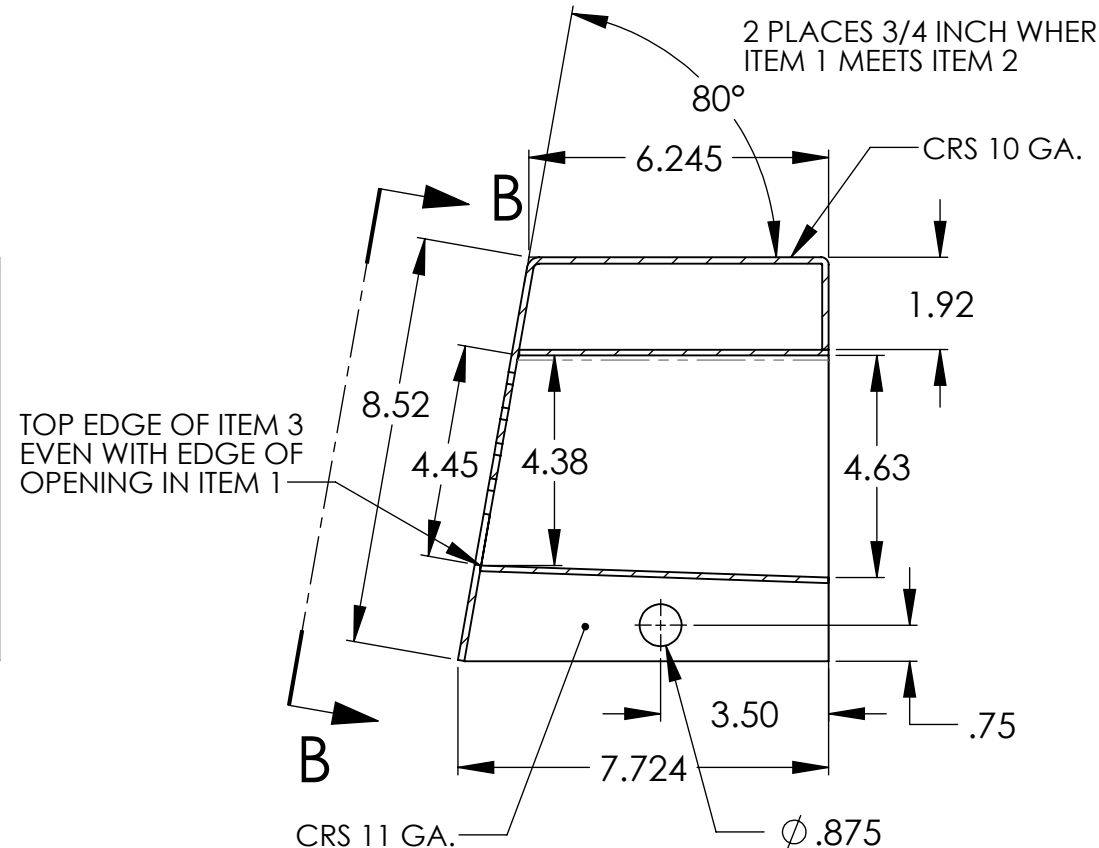
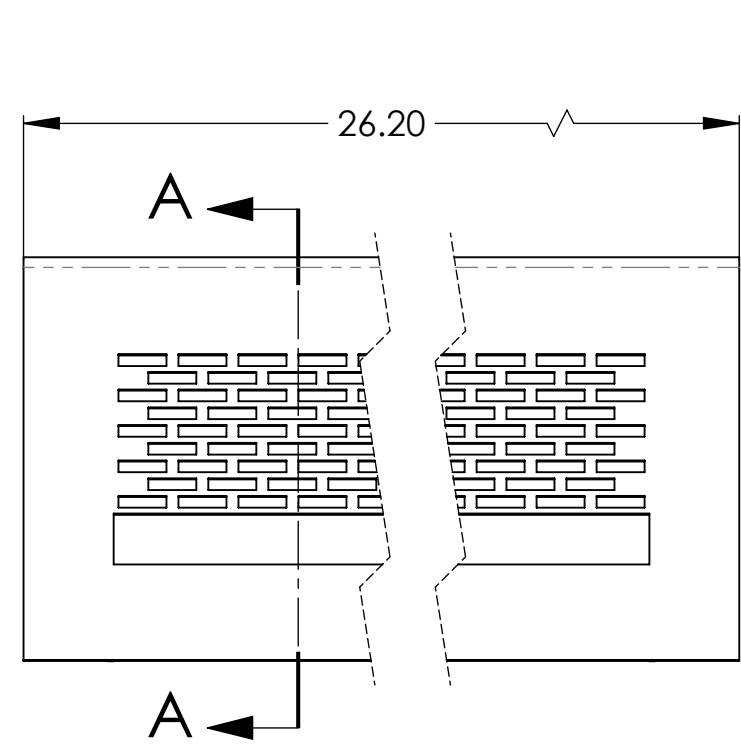
NOTES: UNLESS OTHERWISE SPECIFIED

1. MATERIAL: NOTED.
2. FINISH: AFTER ASSMBLY.
3. ALL DIMENSIONS ARE IN INCHES UNLESS OTHERWISE SPECIFIED.

4. INSTALLATION: FOR 6 INCH CURB, INVERT OF CURB-O-LET TO BE 1/2 INCH ABOVE FLOW LINE ± 1/4 INCH, FOR 8 INCH CURBS BOTTOM OF CURB-O-LET TO BE INBEDDED IN CONCRETE ± 1/4 INCH.

5. STAMP COMPANY NAME IN 3/4" HIGH LETTERS APPROXIMATELY WHERE SHOWN .02-.04 DEEP.

REVISIONS			
REV.	DESCRIPTION	DATE	APPROVED
A	RELEASE FOR PRODUCTION		



DETAIL C
SCALE 1 : 2

ITEM NO.	PART NUMBER	DESCRIPTION	QTY.
1	TCD422-I-1	COVER	1
2	TCD422-I-2	BRACKET	1
3	TCD422-I-3	PLATE	1

UNLESS OTHERWISE SPECIFIED:		NAME	DATE	CURB-O-LET TITLE: TCD422 INLET ASSEMBLY		
DIMENSIONS ARE IN INCHES		DRAWN	D.C.			10-14-16
TOLERANCES:		CHECKED				
FRACTIONAL ±		ENG APPR.				
ANGULAR: MACH ±		MFG APPR.			SIZE C DWG. NO. TCD422-I REV A	
BEND ±		Q.A.				
TWO PLACE DECIMAL ±		COMMENTS:			SCALE: 1:4 WEIGHT: SHEET 1 OF 1	
THREE PLACE DECIMAL ±						
INTERPRET GEOMETRIC TOLERANCING PER:						
MATERIAL						
FINISH						
NEXT ASSY	USED ON					
APPLICATION						
DO NOT SCALE DRAWING						

PROPRIETARY AND CONFIDENTIAL
 THE INFORMATION CONTAINED IN THIS DRAWING IS THE SOLE PROPERTY OF <INSERT COMPANY NAME HERE>. ANY REPRODUCTION IN PART OR AS A WHOLE WITHOUT THE WRITTEN PERMISSION OF <INSERT COMPANY NAME HERE> IS PROHIBITED.

Supplied By:

TRENCHDRAIN SUPPLY

877-903-7246

www.trenchdrainsupply.com