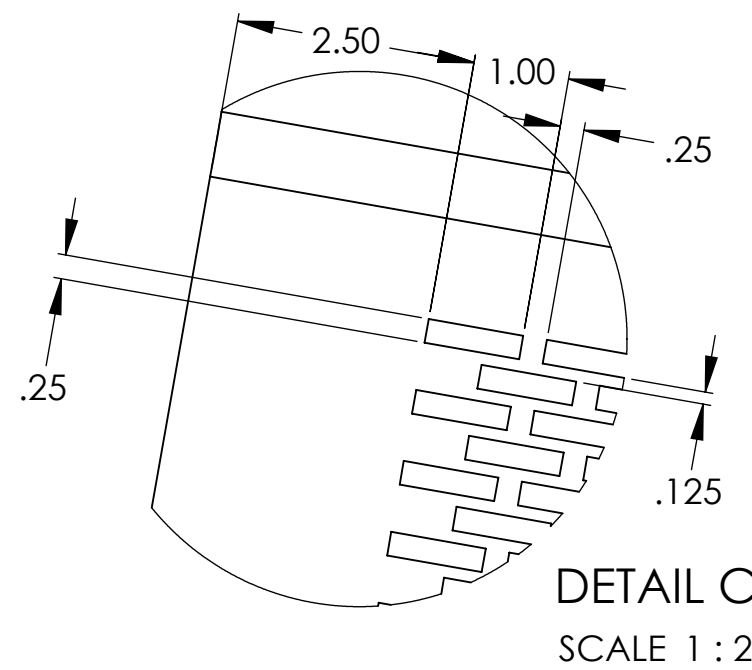
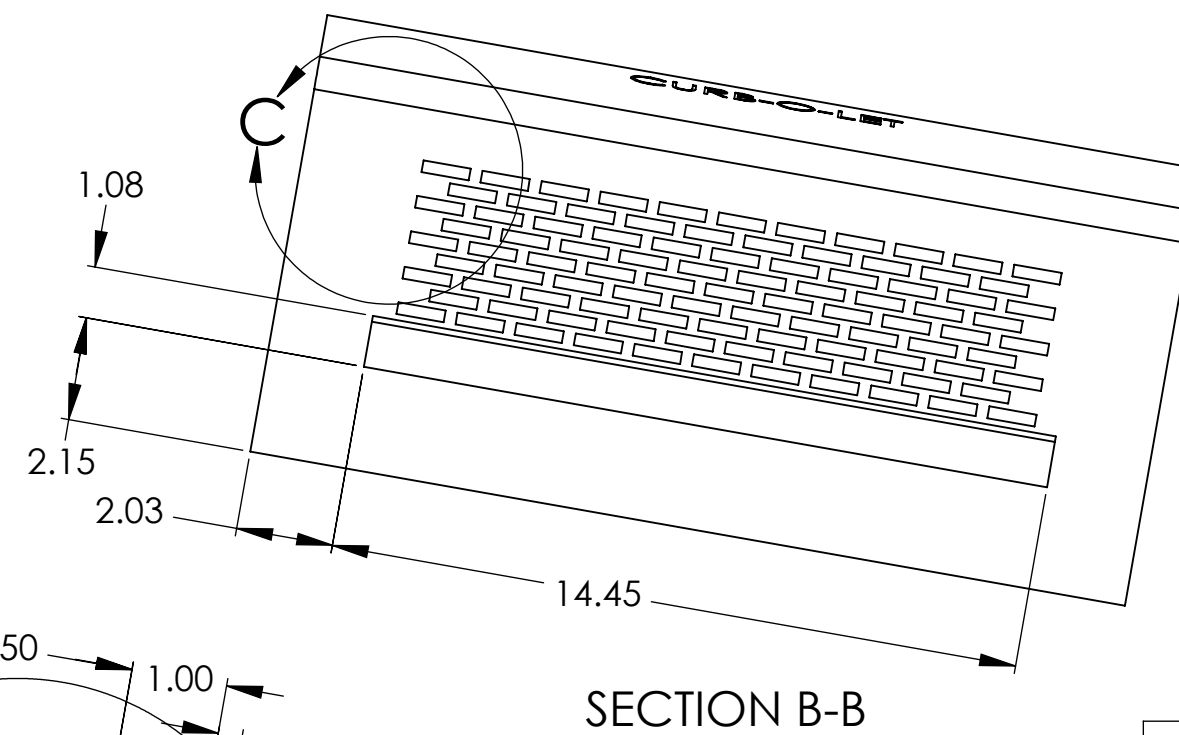
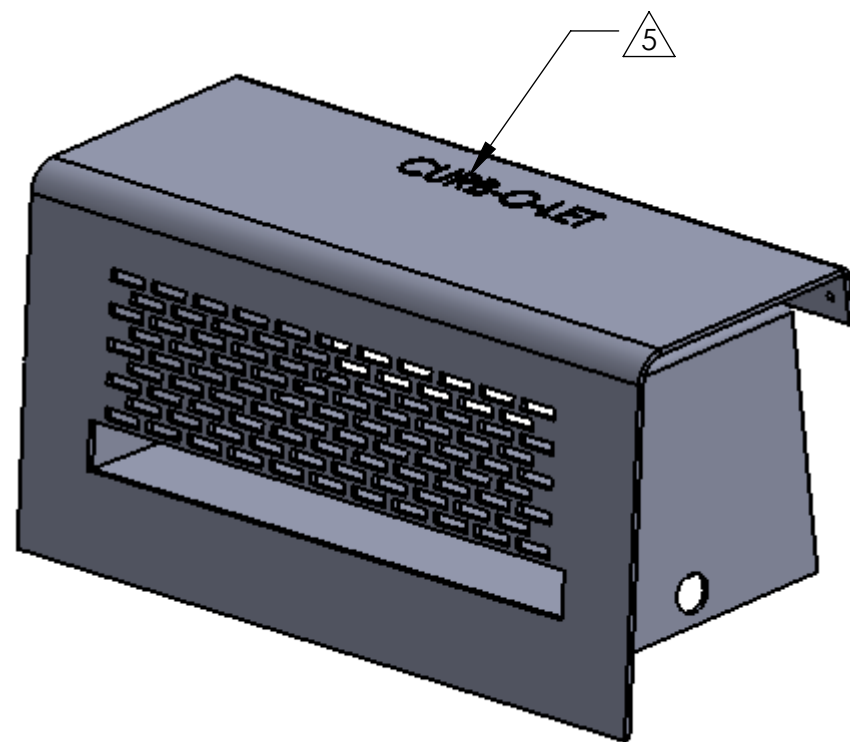
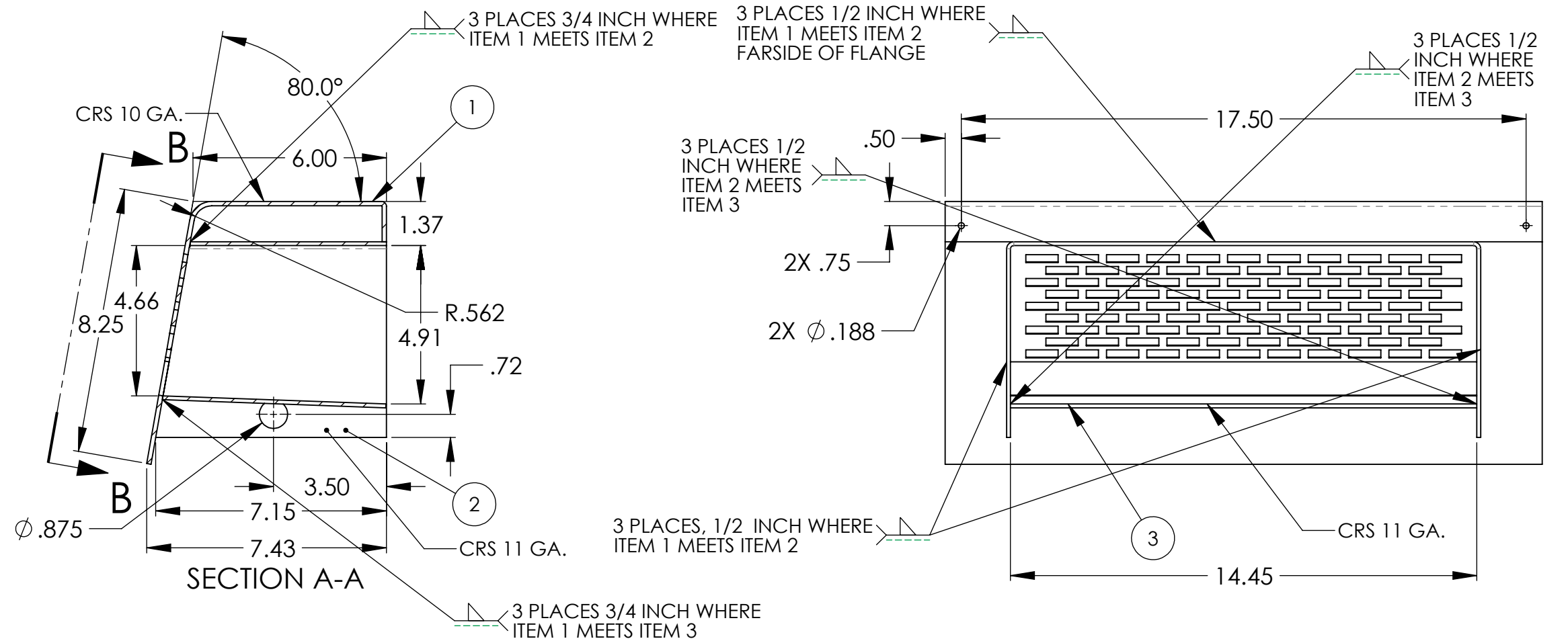
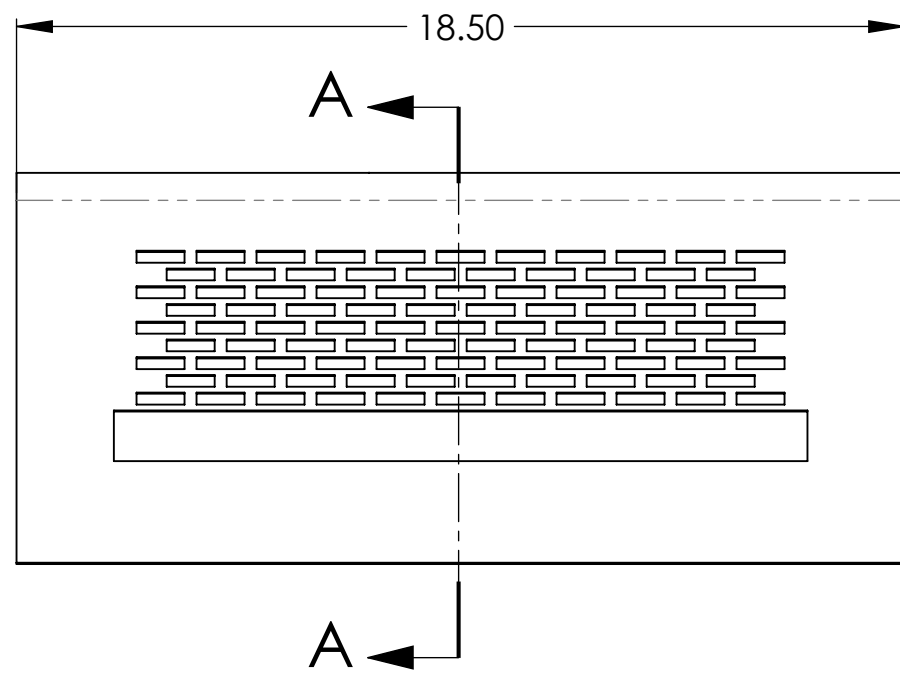


NOTES: UNLESS OTHERWISE SPECIFIED

1. MATERIAL: NOTED.
2. FINISH: AFTER ASSMBLY.
3. ALL DIMENSIONS ARE IN INCHES UNLESS OTHERWISE SPECIFIED.
4. INSTALLATION: FOR 6 INCH CURB, INVERT OF CURB-O-LET TO BE 1/2 INCH ABOVE FLOW LINE ± 1/4 INCH, FOR 8 INCH CURBS BOTTOM OF CURB-O-LET TO BE INBEDDED IN CONCRETE ± 1/4 INCH.
5. STAMP COMPANY NAME IN 3/4" HIGH LETTERS APPROXIMATELY WHERE SHOWN .02-.04 DEEP.

REVISIONS			
REV.	DESCRIPTION	DATE	APPROVED
A	RELEASE FOR PRODUCTION		



DETAIL C
SCALE 1 : 2

ITEM NO.	PART NUMBER	DESCRIPTION	QTY.
1	TCD414-I-1	COVER	1
2	TCD414-I-2	BRACKET	1
3	TCD414-I-3	PLATE	1

UNLESS OTHERWISE SPECIFIED:		NAME	DATE	TITLE:	
DIMENSIONS ARE IN INCHES	DRAWN	D.C.	10/13/16	CURB-O-LET	
TOLERANCES:	CHECKED			TCD414 INLET ASSEMBLY	
FRACTIONAL ±	ENG APPR.			SIZE	DWG. NO.
ANGULAR: MACH ± BEND ±	MFG APPR.			C	TCD414-I
TWO PLACE DECIMAL ±	Q.A.			SCALE: 1:4	WEIGHT:
THREE PLACE DECIMAL ±	COMMENTS:				SHEET 1 OF 1
INTERPRET GEOMETRIC TOLERANCING PER:					
MATERIAL					
FINISH					
APPLICATION	DO NOT SCALE DRAWING				

PROPRIETARY AND CONFIDENTIAL
THE INFORMATION CONTAINED IN THIS DRAWING IS THE SOLE PROPERTY OF <INSERT COMPANY NAME HERE>. ANY REPRODUCTION IN PART OR AS A WHOLE WITHOUT THE WRITTEN PERMISSION OF <INSERT COMPANY NAME HERE> IS PROHIBITED.

Supplied By:
TRENCH DRAIN SUPPLY
877-903-7246
www.trenchdrainsupply.com