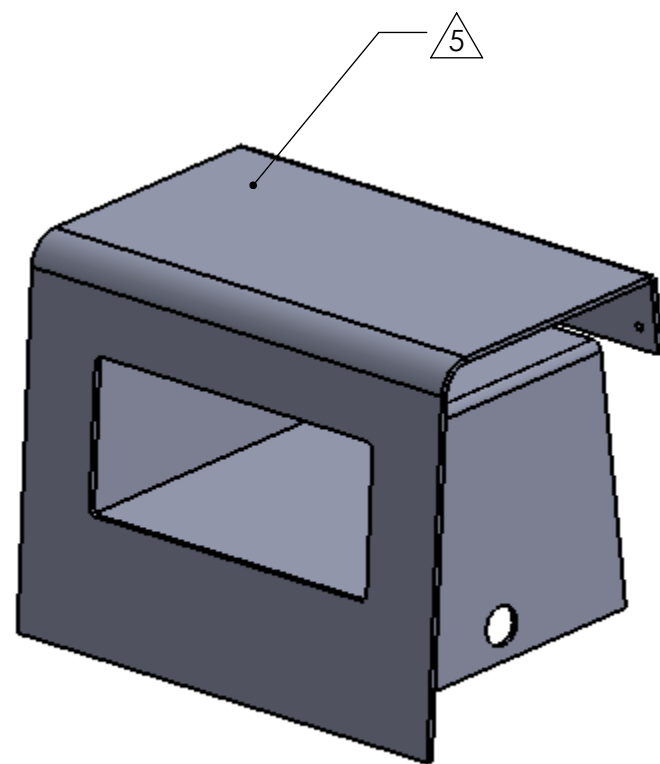
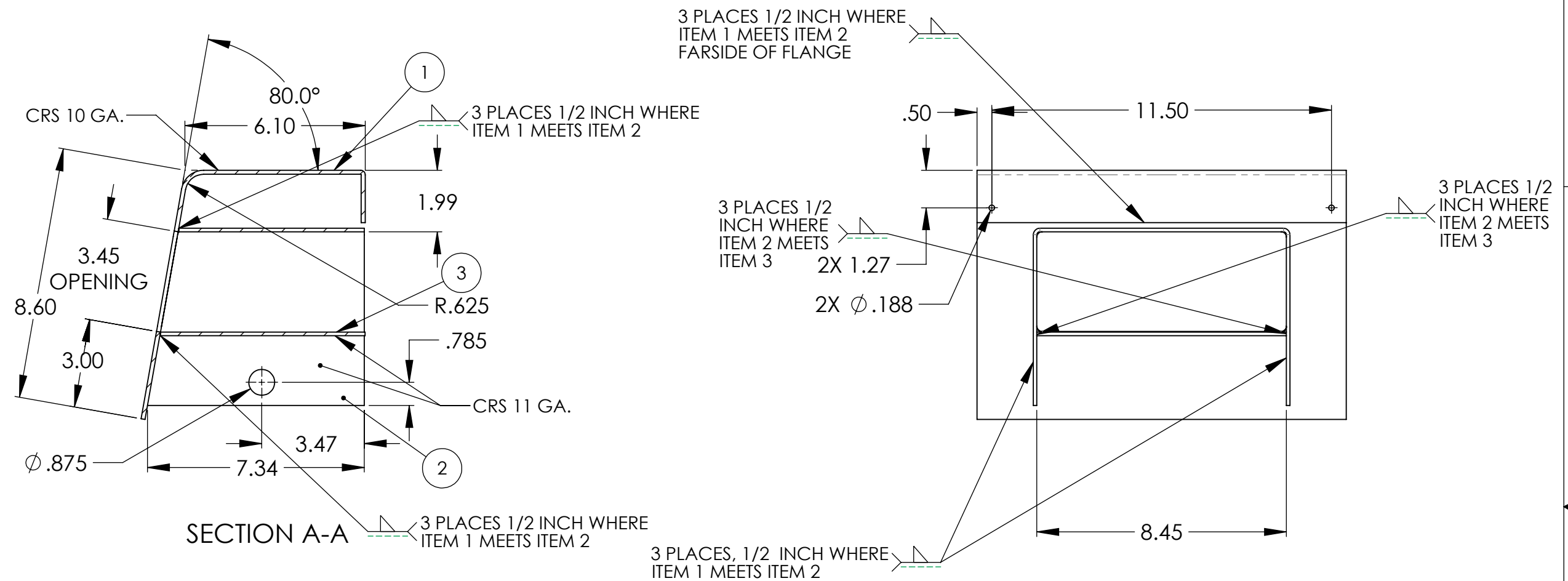
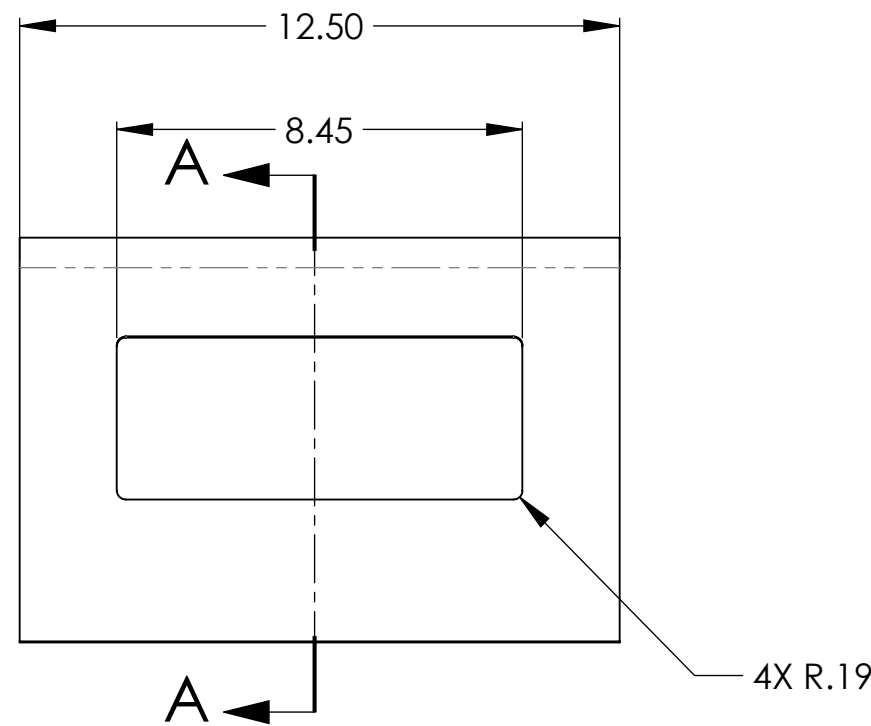


APPROVED BY THE CITY OF LOS ANGELES
BUREAU OF ENGINEERING/PUBLIC WORKS

| REVISIONS | | | |
|-----------|--------------------------------|----------|----------|
| REV. | DESCRIPTION | DATE | APPROVED |
| A | RELEASE FOR PRODUCTION | | |
| B | CHANGED WIDTH AND OPENING DIMS | 09/21/16 | |
| C | CLARIFIED DIMENSIONS | 06-13-17 | |
| D | ADDED CITY APPROVAL | 07/07/17 | |

NOTES: UNLESS OTHERWISE SPECIFIED

- MATERIAL: NOTED.
- FINISH: AFTER ASSEMBLY.
- ALL DIMENSIONS ARE IN INCHES UNLESS OTHERWISE SPECIFIED.
- INSTALLATION: FOR 6 INCH CURB, INVERT OF CURB-O-LET TO BE 1/2 INCH ABOVE FLOW LINE \pm 1/4 INCH, FOR 8 INCH CURBS BOTTOM OF CURB-O-LET TO BE INBEDDED IN CONCRETE \pm 1/4 INCH.
- STAMP COMPANY NAME IN 1/2" HIGH LETTERS APPROXIMATELY WHERE SHOWN .02-.04 DEEP.



| ITEM NO. | PART NUMBER | DESCRIPTION | QTY. |
|----------|-------------|-------------|------|
| 1 | TCD38-1NS | COVER | 1 |
| 2 | TCD38-2NS | BRACKET | 1 |
| 3 | TCD38-3NS | PLATE | 1 |

Supplied By:
TRENCHDRAIN SUPPLY
877-903-7246
www.trenchdrainsupply.com

PROPRIETARY AND CONFIDENTIAL
THE INFORMATION CONTAINED IN THIS
DRAWING IS THE SOLE PROPERTY OF
<INSERT COMPANY NAME HERE>. ANY
REPRODUCTION IN PART OR AS A WHOLE
WITHOUT THE WRITTEN PERMISSION OF
<INSERT COMPANY NAME HERE> IS
PROHIBITED.

| | | | | |
|--------------------------------|---------|----------------------|------|---|
| UNLESS OTHERWISE SPECIFIED: | | NAME | DATE | CURB-O-LET TITLE: TCD38-NS ASSEMBLY |
| DIMENSIONS ARE IN INCHES | | DRAWN | D.C. | |
| TOLERANCES: | | CHECKED | | |
| FRACTIONAL \pm | | ENG APPR. | | |
| ANGULAR: MACH \pm BEND \pm | | MFG APPR. | | SIZE DWG. NO. REV |
| TWO PLACE DECIMAL \pm | | Q.A. | | C TCD38-NS D |
| THREE PLACE DECIMAL \pm | | COMMENTS: | | SCALE: 1:4 WEIGHT: SHEET 1 OF 1 |
| NEXT ASSY | USED ON | FINISH | | |
| APPLICATION | | DO NOT SCALE DRAWING | | |