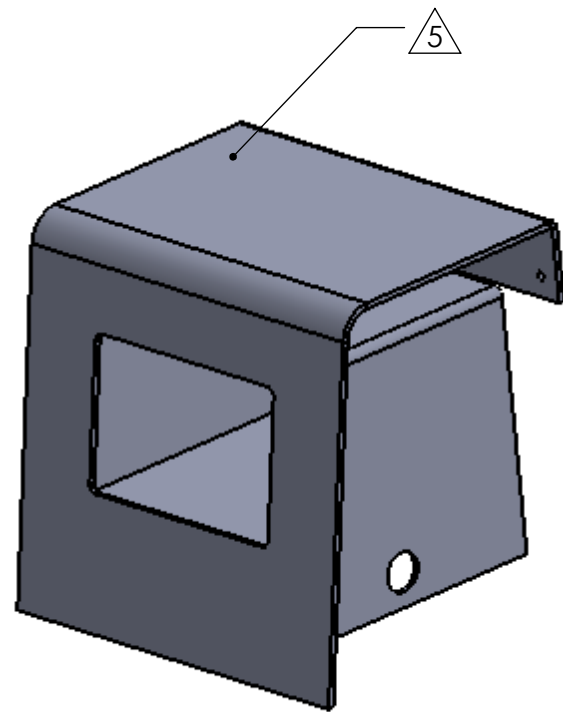
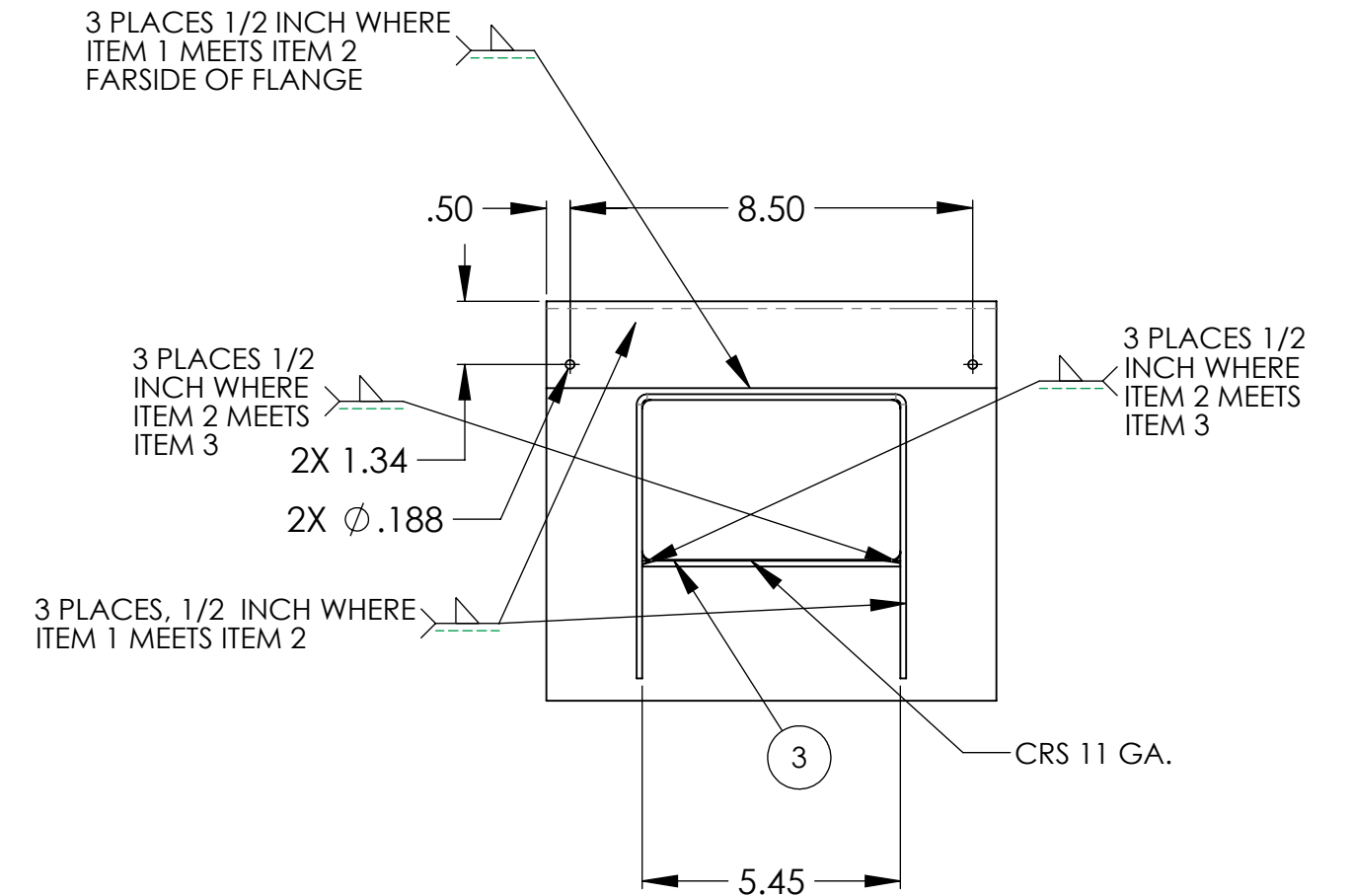
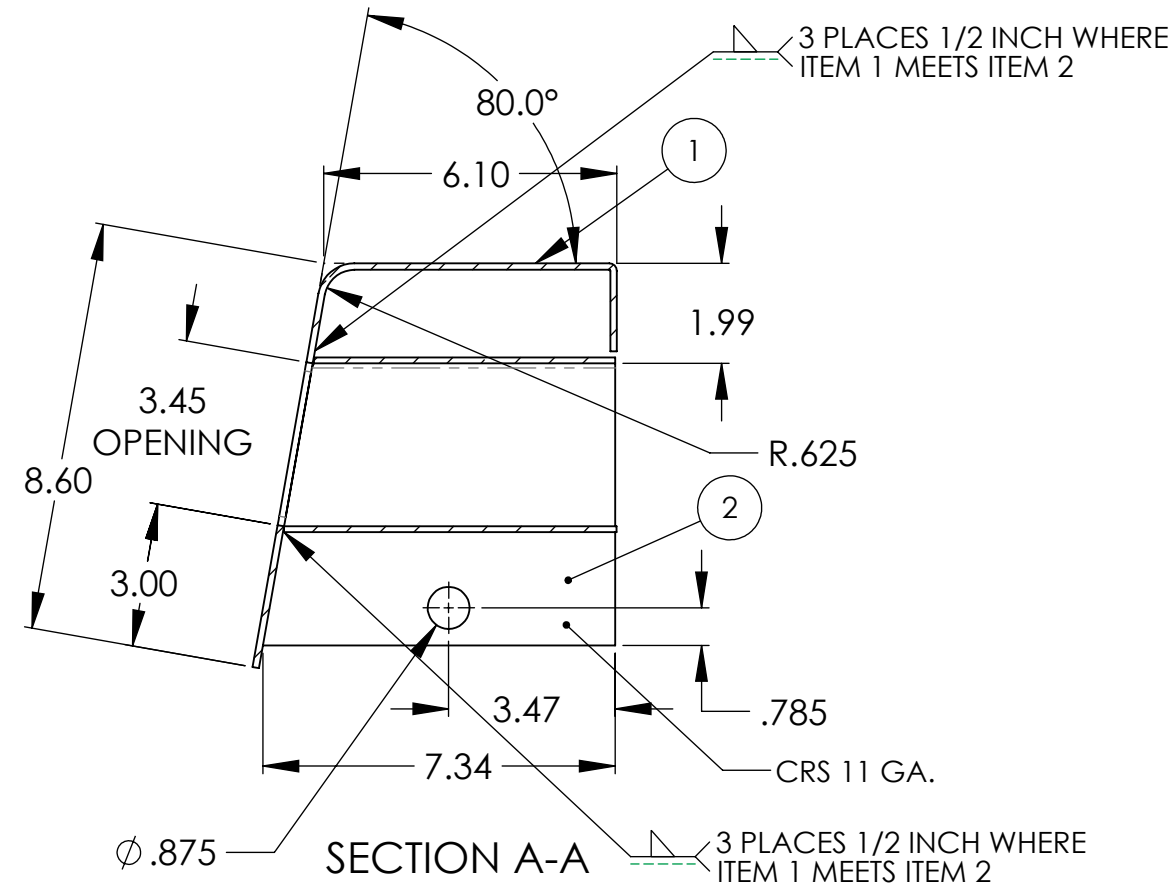
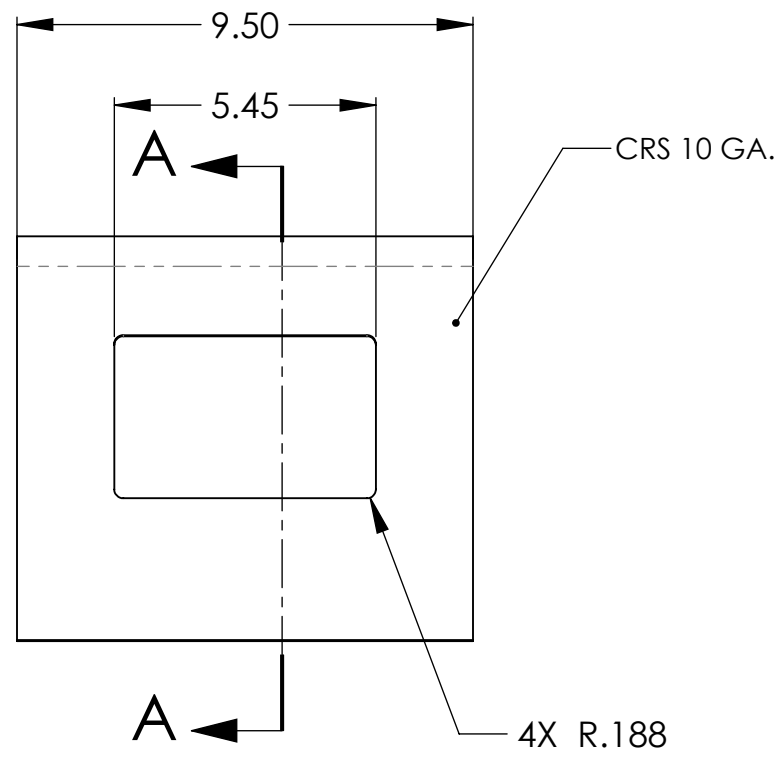


APPROVED BY THE CITY OF LOS ANGELES
BUREAU OF ENGINEERING/PUBLIC WORKS

REVISIONS			
REV.	DESCRIPTION	DATE	APPROVED
A	RELEASE FOR PRODUCTION		
B	CHANGED OPENING DIMS	09/21/16	
C	CLARIFIED DIMENSIONS	06-13-17	
D	CHANGED NOTE 4	07/07/17	
E	ADDED CITY APPROVAL	07/07/17	

NOTES: UNLESS OTHERWISE SPECIFIED

1. MATERIAL: NOTED.
2. FINISH: AFTER ASSMBLY.
3. ALL DIMENSIONS ARE IN INCHES UNLESS OTHERWISE SPECIFIED.
4. INSTALLATION: FOR 8 INCH CURBS
BOTTOM OF CURB-O-LET TO BE INBEDDED IN CONCRETE ± 1/4 INCH.
5. STAMP COMPANY NAME IN 1/2" HIGH LETTERS APPROXIMATELY
WHERE SHOWN .02-.04 DEEP.



ITEM NO.	PART NUMBER	DESCRIPTION	QTY.
1	TCD35-1NS	COVER	1
2	TCD35-2NS	BRACKET	1
3	TCD35-3NS	PLATE	1

Supplied By:
TRENCH DRAIN SUPPLY
877-903-7246
www.trenchdrainsupply.com

PROPRIETARY AND CONFIDENTIAL
THE INFORMATION CONTAINED IN THIS
DRAWING IS THE SOLE PROPERTY OF
<INSERT COMPANY NAME HERE>. ANY
REPRODUCTION IN PART OR AS A WHOLE
WITHOUT THE WRITTEN PERMISSION OF
<INSERT COMPANY NAME HERE> IS
PROHIBITED.

UNLESS OTHERWISE SPECIFIED:		NAME	DATE	CURB-O-LET		
DIMENSIONS ARE IN INCHES		DRAWN	D.C.		TCD35-NS ASSEMBLY	
TOLERANCES:		CHECKED				
FRACTIONAL ±		ENG APPR.				
ANGULAR: MACH ± BEND ±		MFG APPR.				
TWO PLACE DECIMAL ±		Q.A.		SIZE	DWG. NO.	REV
THREE PLACE DECIMAL ±		COMMENTS:		C	TCD35-NS	E
INTERPRET GEOMETRIC TOLERANCING PER:				SCALE: 1:4	WEIGHT:	SHEET 1 OF 1
MATERIAL						
FINISH						
NEXT ASSY	USED ON					
APPLICATION	DO NOT SCALE DRAWING					