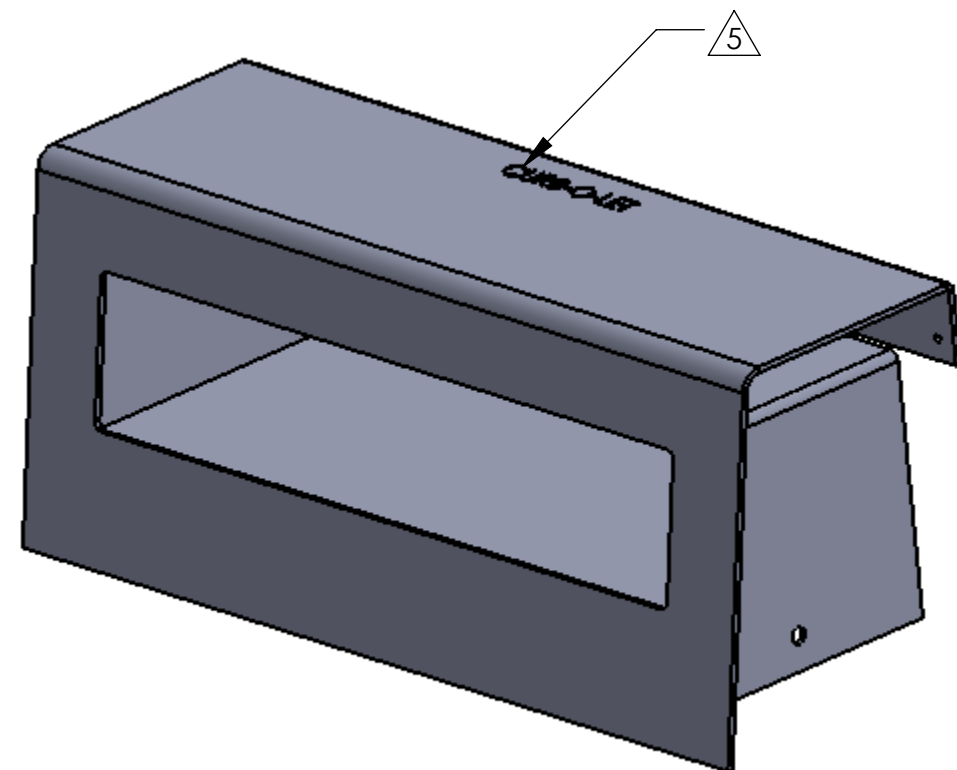
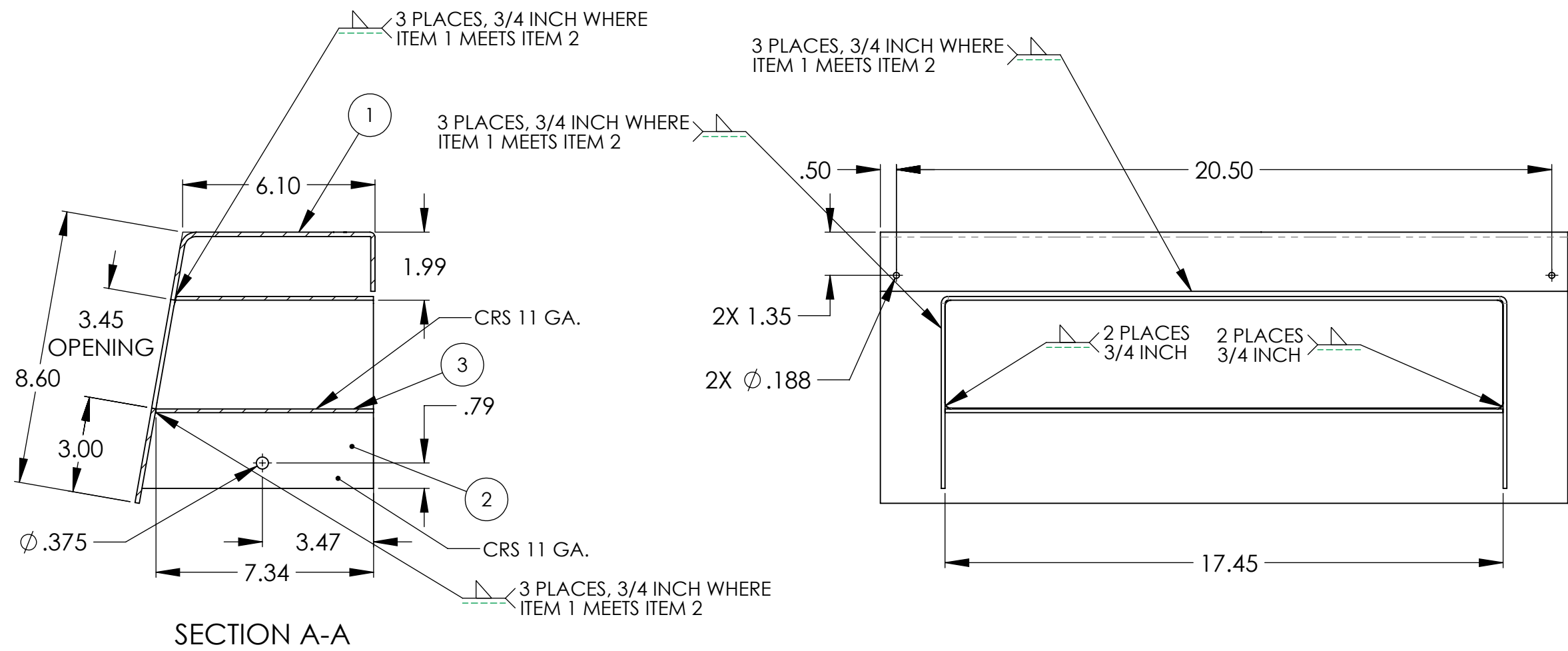
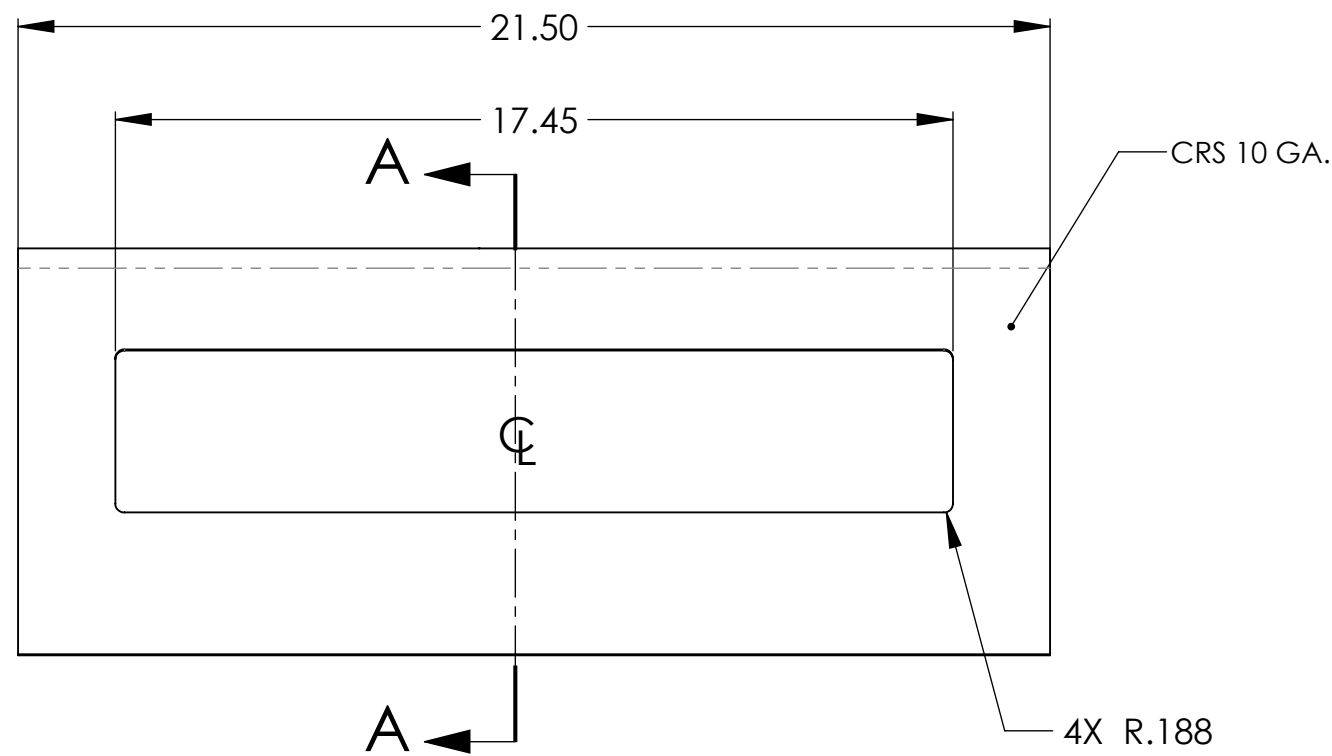


APPROVED BY THE CITY OF LOS ANGELES
BUREAU OF ENGINEERING/PUBLIC WORKS

REVISIONS			
REV.	DESCRIPTION	DATE	APPROVED
A	RELEASE FOR PRODUCTION		
B	CHANGED OPENING DIMS	09/21/16	
C	CLARIFIED DIMENSIONS	06-13-17	
D	ADDED CITY APPROVAL	07/07/17	

NOTES: UNLESS OTHERWISE SPECIFIED

1. MATERIAL: NOTED.
2. FINISH: AFTER ASSEMBLY.
3. ALL DIMENSIONS ARE IN INCHES UNLESS OTHERWISE SPECIFIED.
4. INSTALLATION: FOR 6 INCH CURB, INVERT OF CURB-O-LET TO BE 1/2 INCH ABOVE FLOW LINE \pm 1/4 INCH, FOR 8 INCH CURBS BOTTOM OF CURB-O-LET TO BE INBEDDED IN CONCRETE \pm 1/4 INCH.
5. STAMP COMPANY NAME IN 1/2" HIGH LETTERS APPROXIMATELY WHERE SHOWN .02-.04 DEEP.



Supplied By:

TRENCHDRAIN SUPPLY
877-903-7246
www.trenchdrainsupply.com

ITEM NO.	PART NUMBER	DESCRIPTION	QTY.
1	TCD317-1NS	COVER	1
2	TCD317-2NS	BRACKET	1
3	TCD317-3NS	PLATE	1

UNLESS OTHERWISE SPECIFIED:		NAME	DATE
DIMENSIONS ARE IN INCHES	DRAWN	D.C.	08/13/16
TOLERANCES:	CHECKED		
FRACTIONAL \pm	ENG APPR.		
ANGULAR: MATCH \pm	MFG APPR.		
BEND \pm	Q.A.		
TWO PLACE DECIMAL \pm	COMMENTS:		
THREE PLACE DECIMAL \pm			
INTERPRET GEOMETRIC TOLERANCING PER:			
MATERIAL			
FINISH			
APPLICATION			
DO NOT SCALE DRAWING			

PROPRIETARY AND CONFIDENTIAL
THE INFORMATION CONTAINED IN THIS DRAWING IS THE SOLE PROPERTY OF <INSERT COMPANY NAME HERE>. ANY REPRODUCTION IN PART OR AS A WHOLE WITHOUT THE WRITTEN PERMISSION OF <INSERT COMPANY NAME HERE> IS PROHIBITED.

TITLE: TCD317-NS ASSEMBLY			
SIZE C	DWG. NO. TCD317-NS	REV D	
SCALE: 1:4	WEIGHT:	SHEET 1 OF 1	