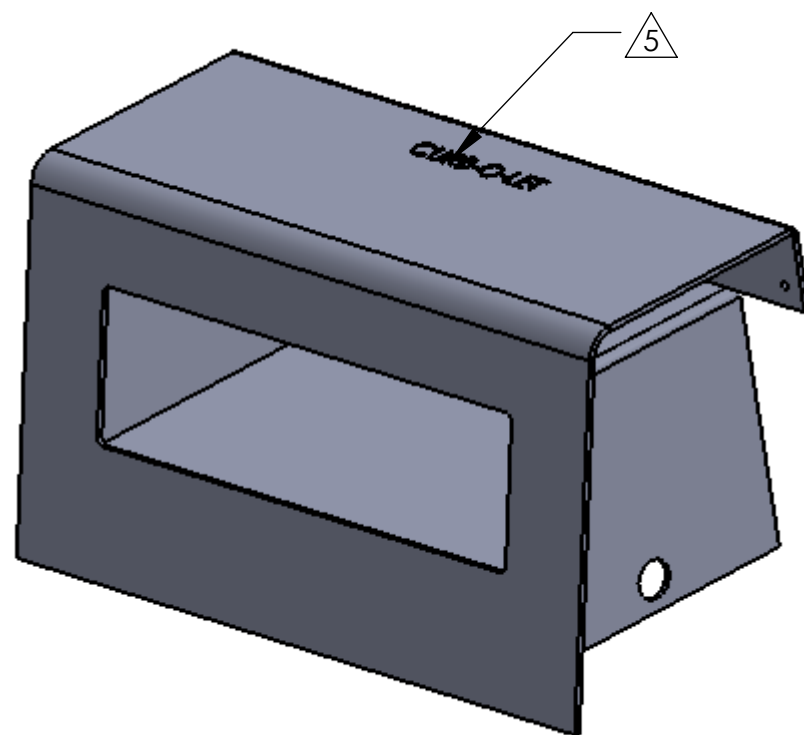
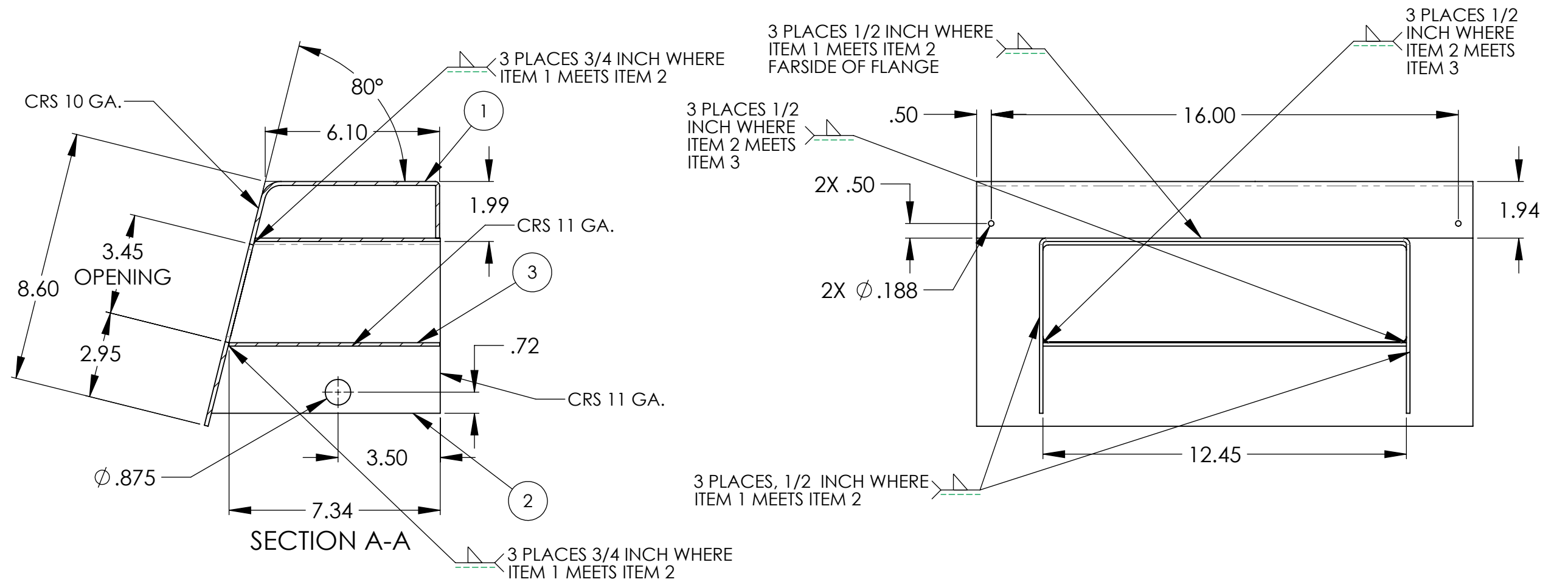
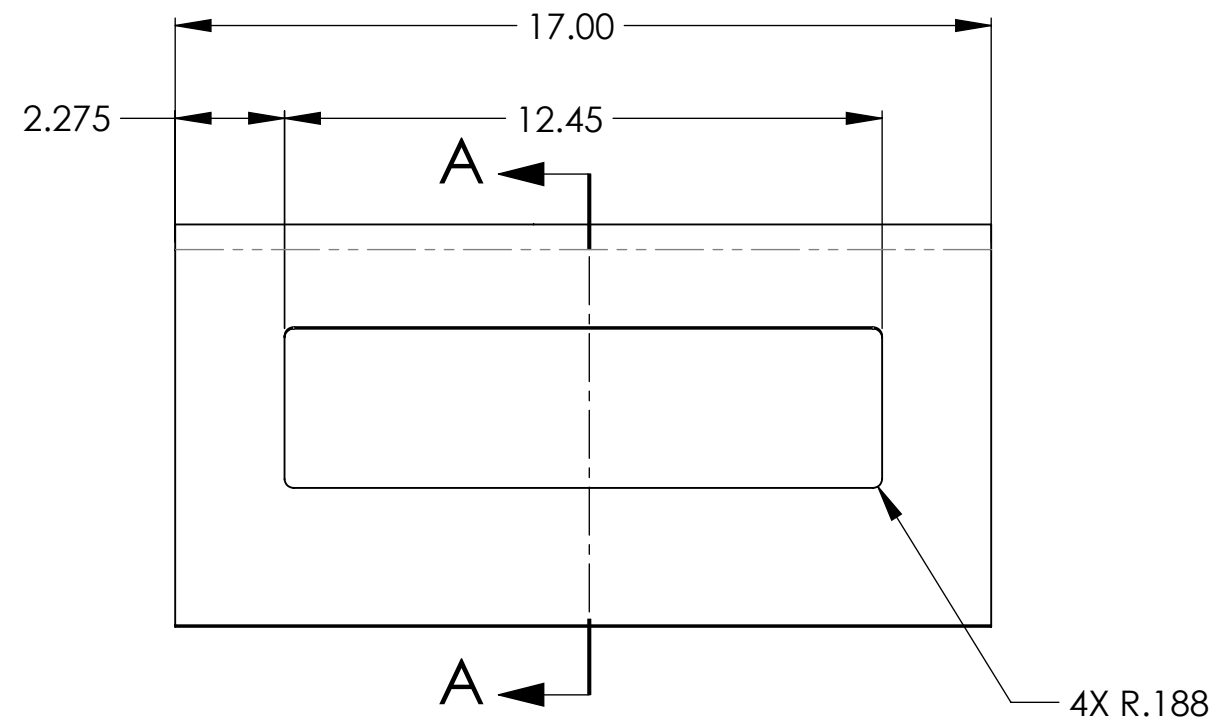


APPROVED BY THE CITY OF LOS ANGELES
BUREAU OF ENGINEERING/PUBLIC WORKS

REVISIONS			
REV.	DESCRIPTION	DATE	APPROVED
A	RELEASE FOR PRODUCTION		
B	CHANGED WIDTH AND OPENING DIMS	9/21/16	
C	CLARIFIED DIMENSIONS	6-13-17	
D	ADDED CITY APPROVAL	07/07/17	

NOTES: UNLESS OTHERWISE SPECIFIED

1. MATERIAL: NOTED.
2. FINISH: AFTER ASSEMBLY.
3. ALL DIMENSIONS ARE IN INCHES UNLESS OTHERWISE SPECIFIED.
4. INSTALLATION: FOR 6 INCH CURB, INVERT OF CURB-O-LET TO BE 1/2 INCH ABOVE FLOW LINE \pm 1/4 INCH, FOR 8 INCH CURBS BOTTOM OF CURB-O-LET TO BE INBEDDED IN CONCRETE \pm 1/4 INCH.
5. STAMP COMPANY NAME IN 1/2" HIGH LETTERS APPROXIMATELY WHERE SHOWN .02-.04 DEEP.



ITEM NO.	PART NUMBER	DESCRIPTION	QTY.
1	TCD312-1NS	COVER	1
2	TCD312-2NS	BRACKET	1
3	TCD312-3NS	PLATE	1

UNLESS OTHERWISE SPECIFIED:		NAME	DATE	CURB-O-LET TITLE: TCD312-NS ASSEMBLY SIZE DWG. NO. REV C TCD312-NS D SCALE: 1:4 WEIGHT: SHEET 1 OF 1
DIMENSIONS ARE IN INCHES		DRAWN	D.C.	
TOLERANCES:		CHECKED		
FRACTIONAL \pm		ENG APPR.		
ANGULAR: MACH \pm BEND \pm		MFG APPR.		
TWO PLACE DECIMAL \pm		Q.A.		
THREE PLACE DECIMAL \pm		COMMENTS:		
INTERPRET GEOMETRIC TOLERANCING PER:				
MATERIAL				
FINISH				
NEXT ASSY	USED ON			
APPLICATION	DO NOT SCALE DRAWING			

PROPRIETARY AND CONFIDENTIAL
THE INFORMATION CONTAINED IN THIS DRAWING IS THE SOLE PROPERTY OF <INSERT COMPANY NAME HERE>. ANY REPRODUCTION IN PART OR AS A WHOLE WITHOUT THE WRITTEN PERMISSION OF <INSERT COMPANY NAME HERE> IS PROHIBITED.

Supplied By:
TRENCH DRAIN SUPPLY
 877-903-7246
 www.trenchdrainsupply.com