



ZF817-24

23-1/4 [591] WIDE REVEAL X 24-5/8 [625] LONG
REINFORCED POLYMER CATCH BASIN

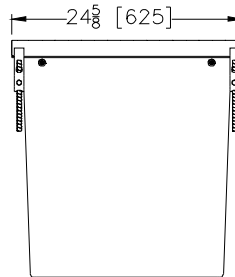
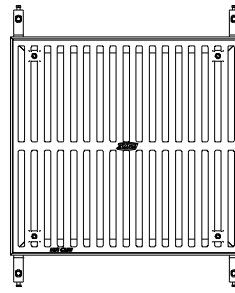
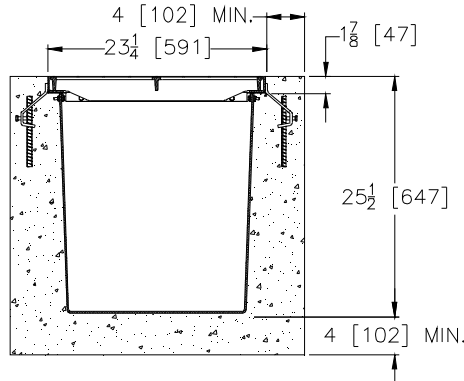
SPECIFICATION SHEET

TAG _____

Supplied By:
**TRENCH DRAIN
SUPPLY**
877-903-7246
www.trenchdrainsupply.com

Dimensional Data (inches and [mm]) are Subject to Manufacturing Tolerances and Change Without Notice

SPECIFYING ENGINEER IS RESPONSIBLE FOR CONCRETE ENCASEMENT AND REINFORCING BASED UPON APPLICATION AND LOCAL CODES.



ENGINEERING SPECIFICATION Zurn ZF817-24

Catch Basin is 24" [610mm] wide reveal, 24-5/8" [625mm] long and 25-1/2" [648mm] deep. The body is made of 0% water absorbent Fiber Reinforced Polyester (FRP) fiberglass. Catch basin weighs less than 20 lbs. [9.1 kg] per linear foot, and is provided with standard DGC grate. Zurn 22-1/4" [565mm] wide reveal Ductile Iron Slotted Grate conforming to ASTM specification A536, Grade 80-55-06. Ductile Iron grate is rated class C per the DIN EN1433 top load classifications. Supplied in 24" [608mm] nominal lengths with 11/16" [17mm] wide slots, and 1-1/2" [38mm] bearing depth. Grate has an open area of 228.8 sq. in. [147,993 sq. mm]. The #7 gage thick Heavy Duty Frame Assembly conforms to ASTM specification A36. Frame shall mechanically lock into the concrete surround at a maximum spacing of 23" [584mm] with four rebar attachment brackets as standard to secure the basin in its final location. The frame is supplied with a powder coated finish. All welds must be performed by a certified welder per ASTM standard AWS D1.1. Frame and basin shall be produced in the U.S.A.

PREFIX OPTIONS (Check/specify appropriate options)

___ ZF 24 inch by 24 inch Fiber Reinforced Polyester (FRP)*

SUFFIX OPTIONS (Check/specify appropriate options)

Outlet Adapters Add/Each

___ -E4 4 [102] No-Hub End Outlet	___ -U4 4 [102] No-Hub Bottom Outlet
___ -E6 6 [152] No-Hub End Outlet	___ -U6 6 [152] No-Hub Bottom Outlet
___ -E8 8 [204] No-Hub End Outlet	___ -U8 8 [204] No-Hub Bottom Outlet

Frame Options

___ -CBF Black Acid Resistant Coated Frame
 ___ -GFA Galvanized Frame
 ___ -SF Type 304 Stainless Steel Top Frame

Grate Options (Load Classifications are per DIN EN1433)

___ -DGC Ductile Iron Slotted Grate - Class C *
 ___ -DGF Ductile Iron Slotted Grate - Class F
 ___ -GDC Galvanized Ductile Slotted Grate - Class C
 ___ -GDF Galvanized Ductile Slotted Grate - Class F
 ___ -GG Fiberglass Grate - Class A

Miscellaneous Options

___ -FT Foul Air Trap
 ___ -IA Inlet Adapter (Z806)
 ___ -IA Inlet Adapter (Z812)
 ___ -Y Sediment Bucket

MADE in the U.S.A. (Load Classifications are per DIN EN1433)

___ -FG Galvanized Steel Slotted Grate - Class A
 ___ -FS Fabricated Stainless Steel Slotted Grate - Class A
 ___ -PG Galvanized Steel Perforated ADA Grate - Class A
 ___ -PS Perforated Stainless Steel ADA Grate - Class A
 ___ -RFG-USA Reinforced Galvanized Steel Slotted Grate - Class B
 ___ -RFS-USA Reinforced Stainless Steel Slotted Grate - Class B
 ___ -RPG-USA Reinforced Galvanized Perforated ADA Grate - Class B
 ___ -RPGR-USA Reinforced Galvanized Perforated Reverse Punch Anti-Slip ADA Grate - Class B
 ___ -RPS-USA Reinforced Stainless Steel Perforated ADA Grate - Class B
 ___ -RPSR-USA Reinforced Stainless Steel Perforated Reverse Punch Anti-Slip ADA Grate - Class B

* Regularly furnished unless otherwise specified.

Zurn Industries, LLC | Specification Drainage Operation
 1801 Pittsburgh Avenue, Erie, PA U.S.A. 16502 · Ph. 855-663-9876, Fax 814-454-7929
 In Canada | **Zurn Industries Limited**
 3544 Nashua Drive, Mississauga, Ontario L4V 1L2 · Ph. 905-405-8272, Fax 905-405-1292
www.zurn.com

Rev. E
 Date: 09/14/2017
 C.N. No. 137725
 Prod. | Dwg. No. ZF817-24