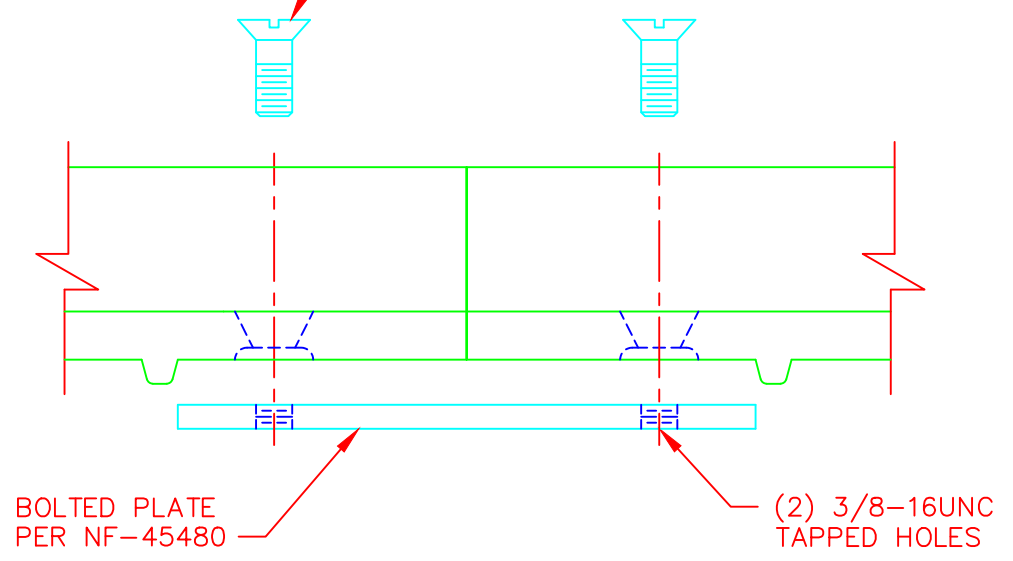


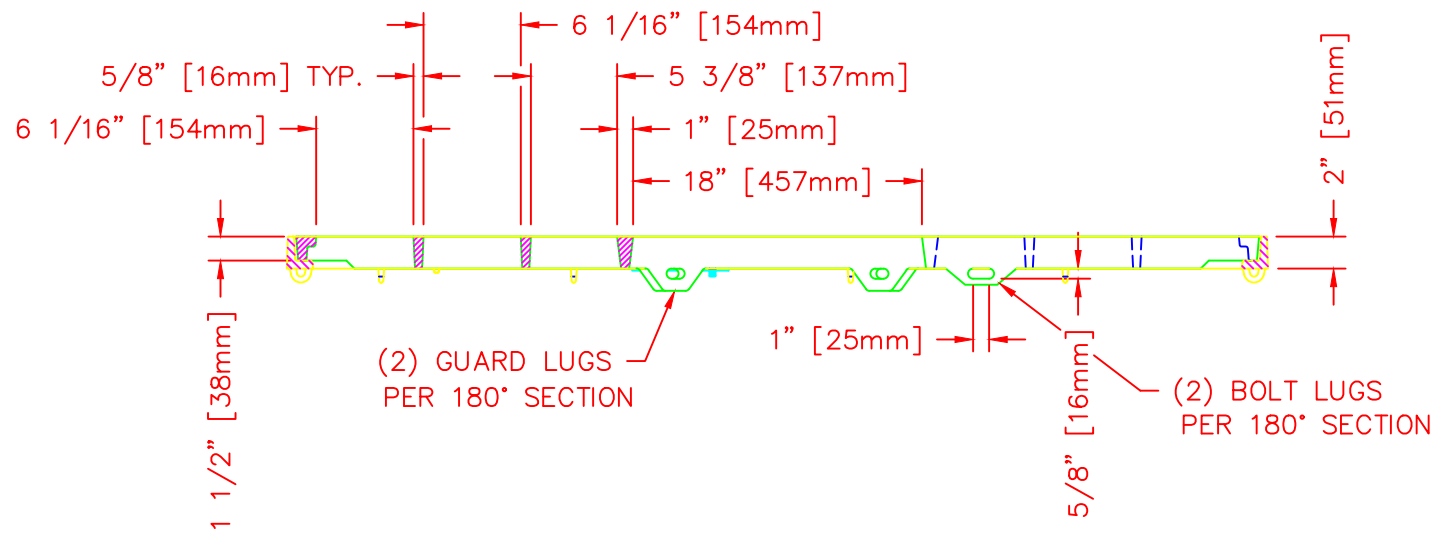
FRAMES ARE ASSEMBLED USING A
 6" X 1 1/4" X 1/4" THICK
 [152mm X 32mm X 6mm]
 STEEL PLATE BOLTED TO FRAME
 w/ (2) 3/8-16UNC X 1 STNLS
 STL. FLAT HD. CAP SCREWS



ASSEMBLY DETAIL
 SCALE 1:2

TREE GRATE HALVES BOLTED TOGETHER
 w/ (2) 1/2-13 X 3 STNLS. STL.
 HEX. BOLT AND HEX. NUT w/ WASHERS

Supplied By:
**TRENCHDRAIN
 SUPPLY**
 877-903-7246
 www.trenchdrainsupply.com



NOTE: FRAME CROSS BAR REQUIRES REMOVAL AFTER INSTALLATION.
 ALL DIMENSIONS ARE SHOWN IN ENGLISH AND [METRIC].
 COMPONENT NO'S: (4) 5'-0" FRAME 8500-6060; (2) TREE GRATE 8746-0010
 MATERIAL: CAST GRAY IRON ASTM A-48, CLASS 35B
 FINISH: NOT PAINTED
 WEIGHT: 512#/SET

7-29-98	REVISED FRAME	KMH
DATE	REVISION	INT

DR. M. LAWTON	SCALE 1"=1'-0"	TITLE: R-8746-A
CH.		5'-0" SQUARE TREE GRATE & FRAME
APP.	DIM CHK.	NEENAH FOUNDRY COMPANY
DATE 10-12-94		NEENAH WISCONSIN 54956
		NF-8746 191 B