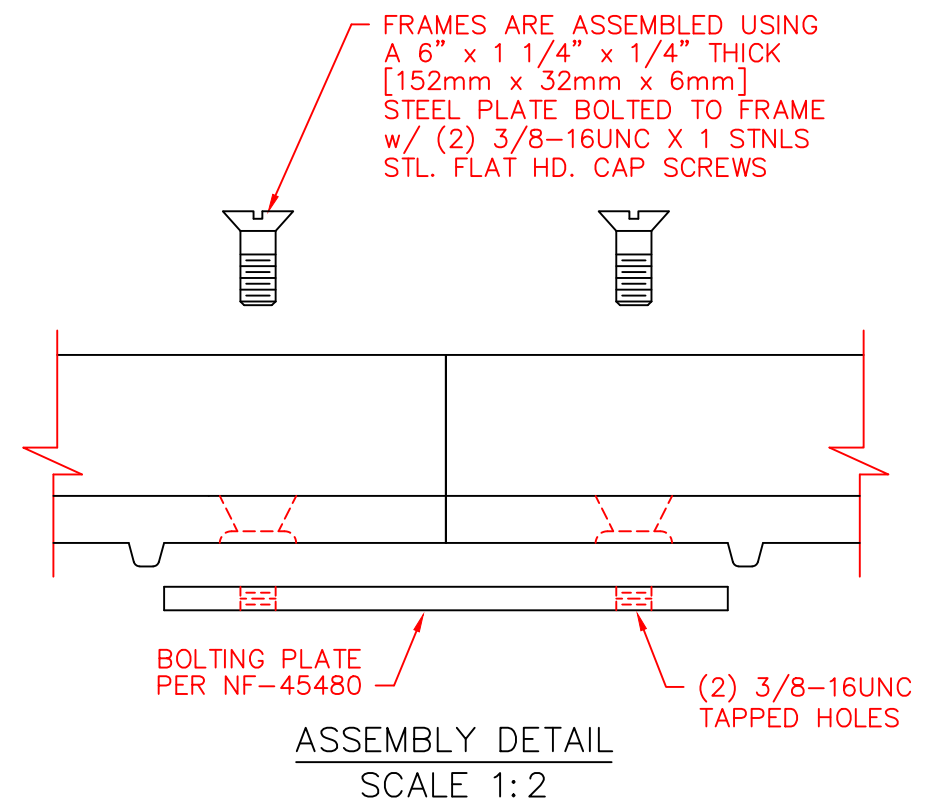
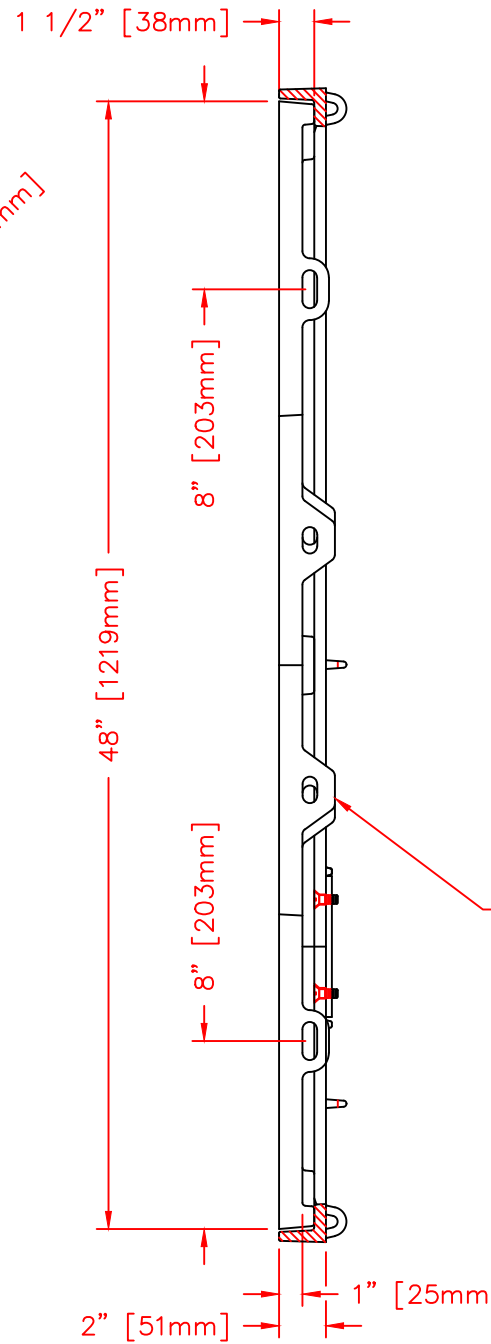


TREE GRATE HALVES BOLTED TOGETHER  
w/ (2) 1/2-13 X 3" STNLS. STL.  
HEX. BOLT AND HEX. NUT w/ WASHERS



Supplied By:  
**TRENCHDRAIN SUPPLY**  
 877-903-7246  
 www.trenchdrainsupply.com

NOTE: FRAME CROSS BAR REQUIRES REMOVAL AFTER INSTALLATION.  
 ALL DIMENSIONS ARE SHOWN IN ENGLISH AND [METRIC].  
 COMPONENT NO'S: (4) 4'-0" FRAME 8500-4848; (2) TREE GRATE 8724-0004  
 MATERIAL: GRAY IRON ASTM-A48 CLASS 35B  
 FINISH: NO PAINT  
 WEIGHT: 472#/SET

| DATE     | REVISION      | INT |
|----------|---------------|-----|
| 08-04-98 | REVISED FRAME | KMH |
|          |               | INT |

|               |               |                                 |
|---------------|---------------|---------------------------------|
| DR. M. LAWTON | SCALE 1/8"=1" | TITLE: R-8724-A                 |
| CH.           |               | 4'-0" SQUARE TREE GRATE & FRAME |
| APP.          | DIM CHK.      | NEENAH FOUNDRY COMPANY          |
| DATE 4-18-94  |               | NEENAH WISCONSIN 54956          |
|               |               | NF-8724 076 B                   |