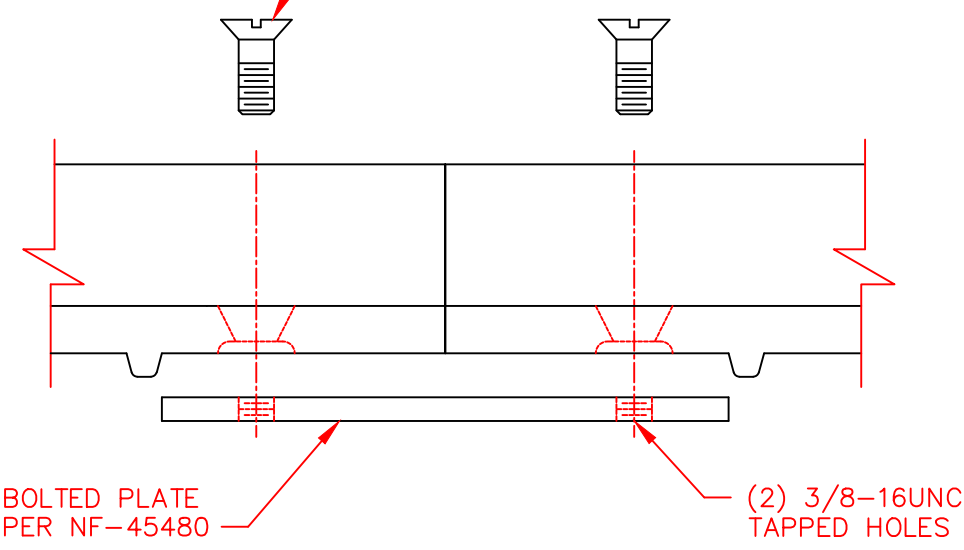


3/16" [5mm] RAD.
3/8" [10mm]

FRAMES ARE ASSEMBLED USING A
6" X 1 1/4" X 1/4" THICK
[152mm X 32mm X 6mm]
STEEL PLATE BOLTED TO FRAME
w/ (2) 3/8-16UNC X 1 STNLS
STL. FLAT HD. CAP SCREWS

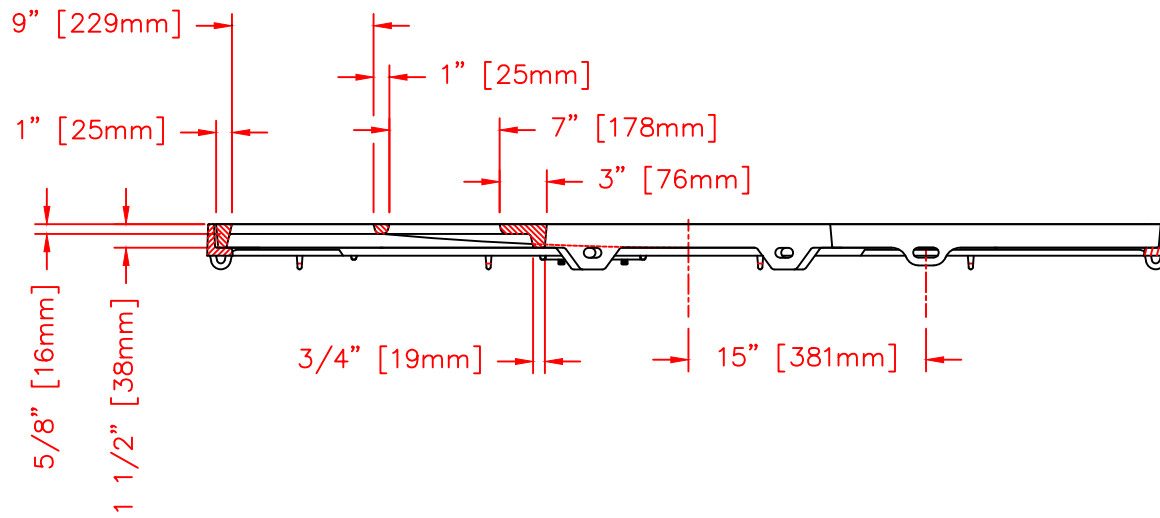


BOLT TREE GRATE HALVES TOGETHER
w/ (2) 1/2"-13 x 3" STNL. STL.
HEX BOLT, WASHER & NUT
KIT NO. 95580

BOLTED PLATE
PER NF-45480

(2) 3/8-16UNC
TAPPED HOLES

ASSEMBLY DETAIL
SCALE 1:2



Supplied By:
**TRENCHDRAIN
SUPPLY**
877-903-7246
www.trenchdrainsupply.com

NOTE: ALL DIMENSIONS SHOWN ARE IN ENGLISH AND [METRIC]
COMPONENT NOS.: (4) FRAME 8500-6060, (2) GRATE 8714-0007
MATERIAL: CAST GRAY IRON ASTM A-48, CLASS 35B
FINISH: NO PAINT
WEIGHT: FRAME 25# EACH, GRATE 232# EACH

DR. KMH	SCALE 1"=1'-0"	TITLE: R-8714-A
CH.		60" x 60" TREE GRATE AND FRAME
APP.	DIM CHK.	NEENAH FOUNDRY COMPANY NEENAH WISCONSIN 54956
DATE 11-22-99		NF-8714 115 B

11-01-2005	ELIMINATE CUT OUTS IN GRATE SEAT	CSK
03-12-2003	RELOCATE NF LETTERING	CSK
DATE	REVISION	INT