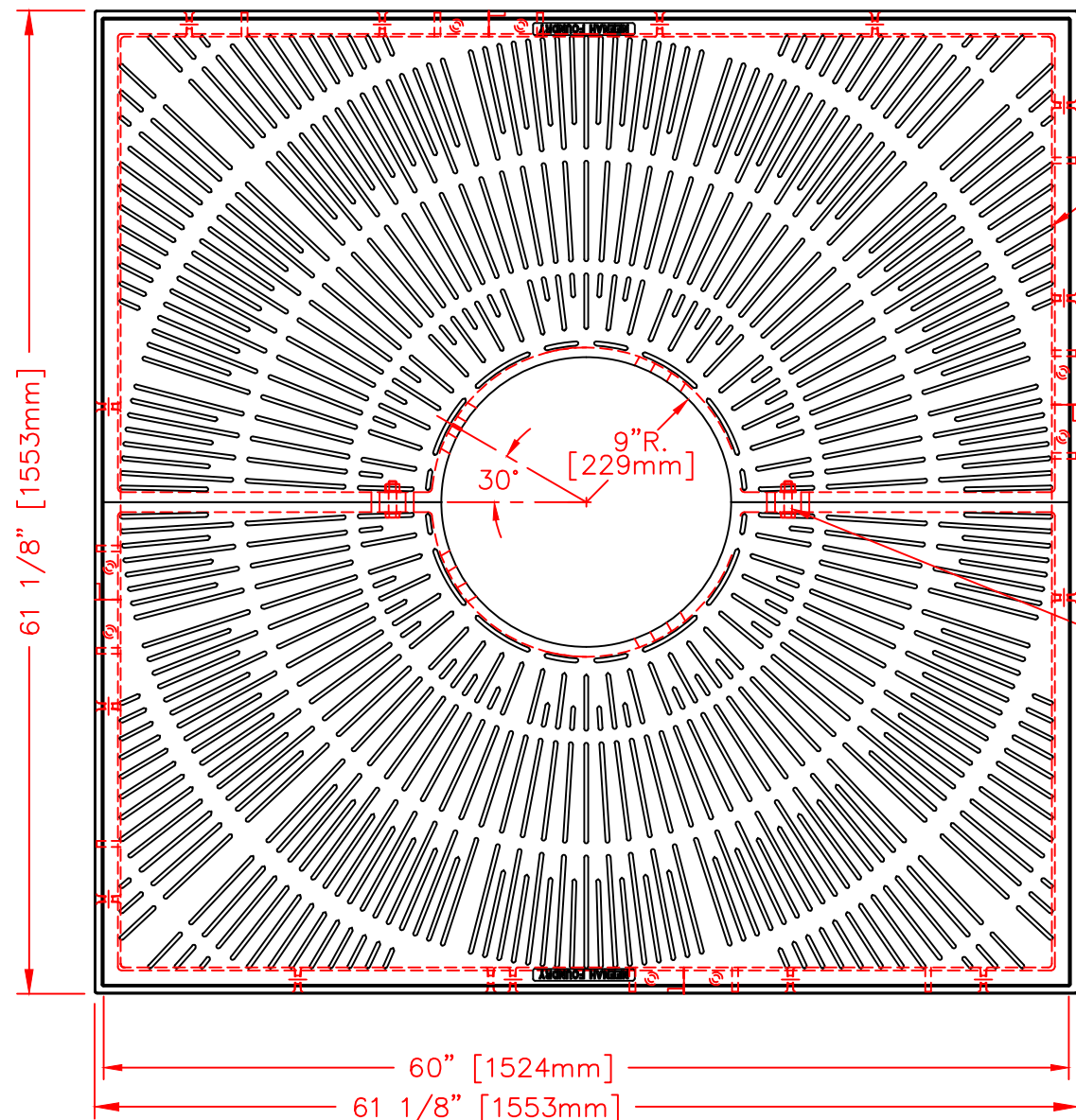


Supplied By:

**TRENCHDRAIN
SUPPLY**

877-903-7246

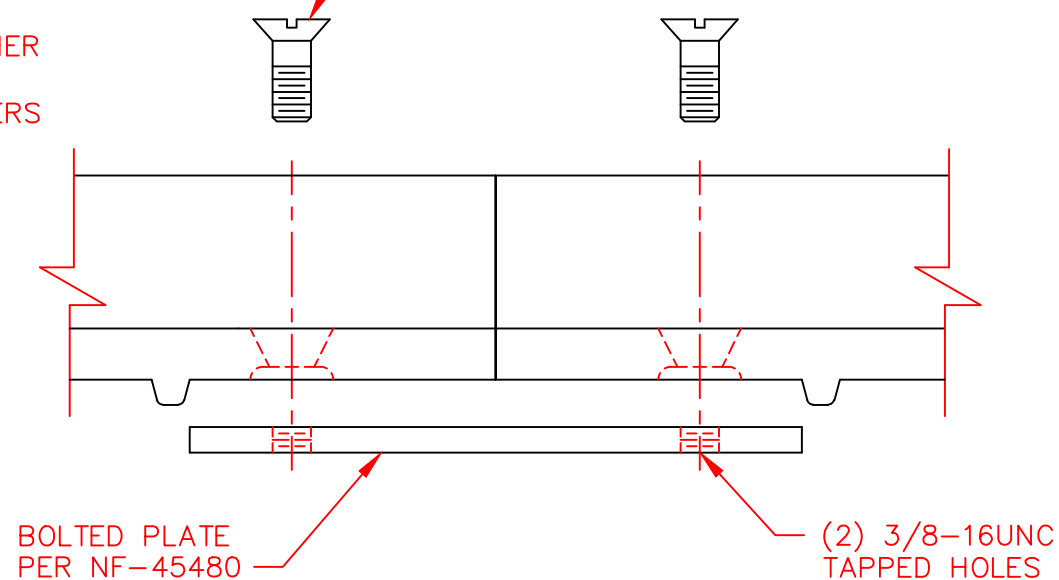
www.trenchdrainsupply.com



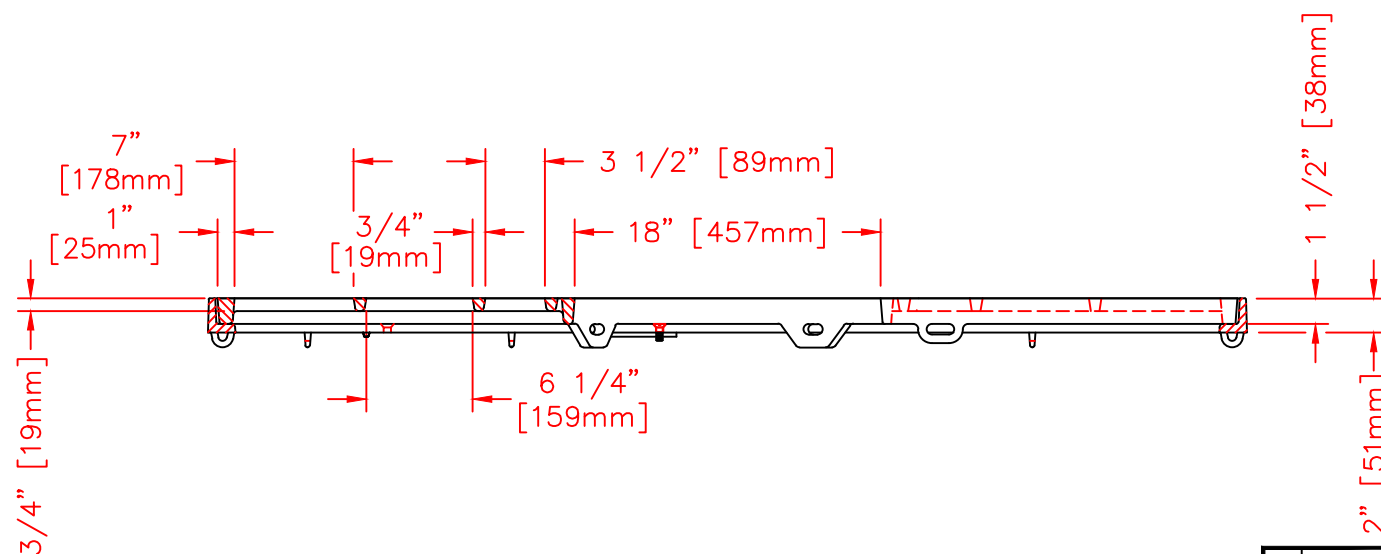
ALL SLOTS ARE 1/4" [6mm] WIDE MAX.

TREE GRATE HALVES BOLTED TOGETHER
w/ (2) 1/2-13 X 3" STNLS. STL.
HEX. BOLT AND HEX. NUT w/ WASHERS

FRAMES ARE ASSEMBLED USING A
6" X 1 1/4" X 1/4" THICK
[152mm X 32mm X 6mm]
STEEL PLATE BOLTED TO FRAME
w/ (2) 3/8-16UNC X 1 STNLS
STL. FLAT HD. CAP SCREWS



ASSEMBLY DETAIL
SCALE 1:2



NOTE: FRAME CROSS BAR REQUIRES REMOVAL AFTER INSTALLATION.
ALL DIMENSIONS ARE SHOWN IN ENGLISH AND [METRIC].

COMPONENT NO'S: (4) 5'-0" FRAME 8500-6060; (2) TREE GRATE 8707-0002

MATERIAL: CAST GRAY IRON ASTM A-48, CLASS 35B

FINISH: NOT PAINTED

WEIGHT: 624#/SET

7-30-98	REVISED FRAME	KMH
DATE	REVISION	INT

DR.	E. REMME
CH.	
APP.	
DATE	3-28-96

SCALE	TITLE:
1"=1'-0"	R-8707
DIM CHK.	5'-0" SQUARE TREE GRATE & FRAME
NEENAH FOUNDRY COMPANY NEENAH WISCONSIN 54956	
NF-8707 395 B	