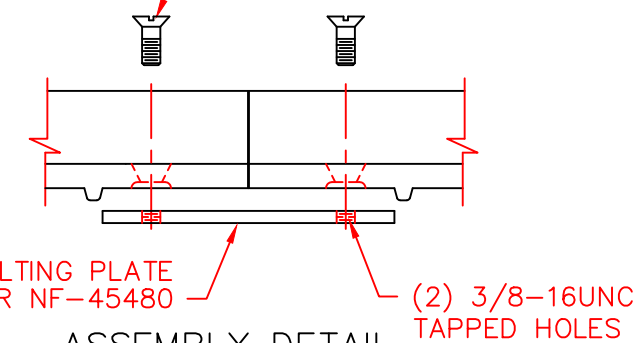


FRAMES ARE ASSEMBLED USING  
 A 6" x 1 1/4" x 1/4" THICK  
 [152mm x 32mm x 6mm]  
 STEEL PLATE BOLTED TO FRAME  
 w/ (2) 3/8-16UNC X 1 STNLS  
 STL. FLAT HD. CAP SCREWS



BOLT TREE GRATES HALVES TOGETHER  
 w/ (2) 1/2"-13 x 3" STNL. STL.  
 HEX BOLT, WASHER & NUT  
 KIT NO. 95580

Supplied By:  
**TRENCHDRAIN  
 SUPPLY**  
 877-903-7246  
 www.trenchdrainsupply.com

NOTE: ALL DIMENSIONS SHOWN ARE IN ENGLISH AND [METRIC]  
 COMPONENT NOS.: (4) FRAME 8500-4848, (2) GRATES 8706-0010  
 MATERIAL: CAST GRAY IRON ASTM A-48, CLASS 35B  
 FINISH: NO PAINT  
 WEIGHT: FRAME 20# EA., GRATE 164# EA.

CAD DWG. REF:8706310.DWG-1

DR.	KMH	SCALE	TITLE:	R-8706-1A
CH.		1/8"=1"	48" x 48" TREE GRATE AND FRAME	
APP.		DIM CHK.	NEENAH FOUNDRY COMPANY NEENAH WISCONSIN 54956	NF-8706 310 B
DATE	11-22-99			