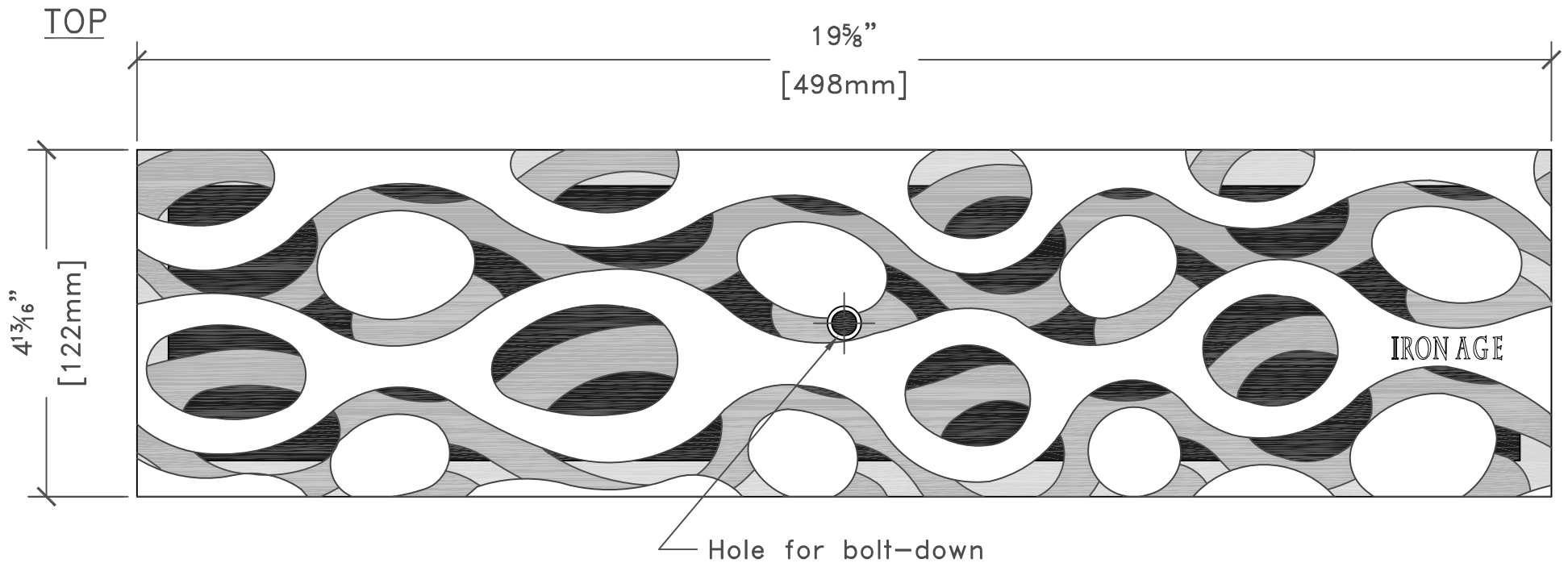
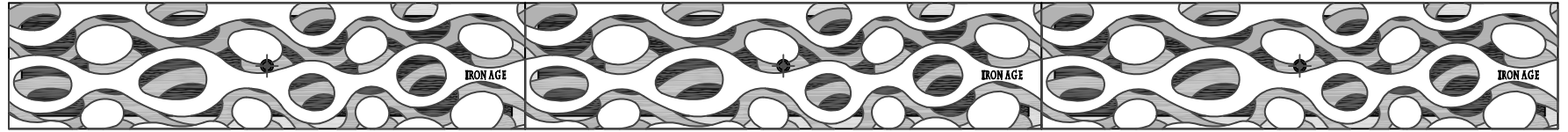


3 GRATES ARRAYED



NOTES:

1. Material: cast iron
2. Natural finish
3. Total thickness: $\frac{13}{16}$ "
4. Fits drain channels manufactured by: ABT® PolyDrain®, ACO™ K100/K100S, KS100, MEA® 1000 Series
5. No openings greater than $\frac{1}{2}$ "
6. Free Drain Area = 14.5%
7. Due to casting inconsistencies, all dimensions are nominal.

Supplied By:

TRENCHDRAIN SUPPLY

877-903-7246

www.trenchdrainsupply.com



IRON AGE DESIGNS

2104 SW 152nd St #4 TEL 206.276.0925
 Burien, WA 98166 FAX 206.257.0318
 www.ironagegrates.com

Janis 5"x20" Trench Grate

drawing no. JAN.A.05x20

drawn by: CD
 scale: NTS
 date: 01/01/09

ABT® PolyDrain®
 ACO™ K100/K100S, KS100
 MEA® 1000 Series

Registration Number:
 VA 2-007-078

© 2009 Iron Age Designs